

Product Information

FIMPQUD1 - Multi-Play Quad Tower



Rear View



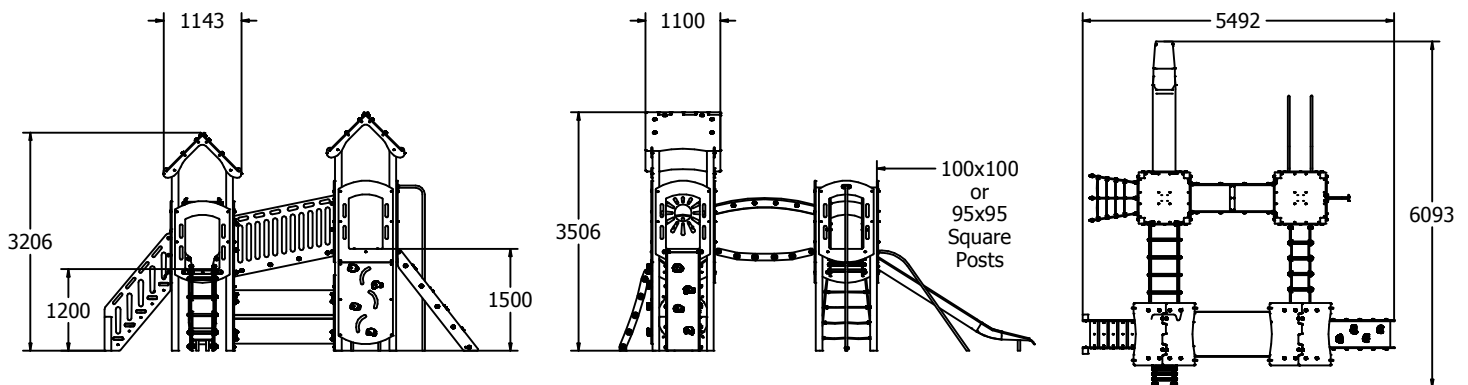
- Included**
- Fixings for Panels/Components to Platform

- Not Included**
- Fixings for panels to posts
 - Posts

- Colour Options:**
- Broad choice of panel colours available
 - Moulded slide available in four colours

*** Posts not included - Drawings supplied to source separately ***

Designed to
British & European
Standard BS EN 1176



FIMPQUD1 - Multi-Play Quad Tower: Components		
Code	Description	Qty
FIRFLAIN	Plain Apex Roof	2
FIMPCW1500	Multi-Play Climbing Wall - 1.5m	1
FIMPDBS1500	Multi-Play Dual Bar Slide - 1.5m	1
FIMPFP1500-B	Multi-Play Firemans Pole - 1.5m	1
FIMPIP	Multi-Play Infill Panel	2
FIMPLLB	Multi-Play Link Ladder Bridge	1
FIMPMB	Multi-Play Monkey Bars	1
FIMPRP1500	Multi-Play Rock Hold Ramp - 1.5m	1
FIMP SLB	Multi-Play Sloping Bridge	1
FIMPSLL1200	Multi-Play Sloping Link Ladder - 1.2m	1
FIMP SN1200	Multi-Play Scramble Net - 1.2m	1
FIMPSP	Multi-Play Square Platform	4

FIMPQUD1 - Multi-Play Quad Tower: Components		
Code	Description	Qty
FIMPSSSL1200	Multi-Play Stainless Steel Slide - 1.2m	1
FIMPST1200	Multi-Play Stairs - 1.2m	1
FIMPTU	Multi-Play Tunnel Underpass	1

- Age Range: 4+ Years
 Largest Part: Stainless Steel Slide - 399 x 2290 x 1685mm
 Heaviest Part: FIMPTU - 63 Kg
 Total Weight: Approx. 634 Kg (excl. posts)
 Free Height of Fall: 1.5m
 Free Space: 11.8 sqm
 Surfacing Area: 53.2 sqm (1.5m (1m from end of slide) from the extents of the equipment with a critical fall height in excess of 1.5m)

Colour Choices: **Design Panel** - Broad selection available, visit the website below for further details