



FIMPCNB1200
(For 1.2m Platform)



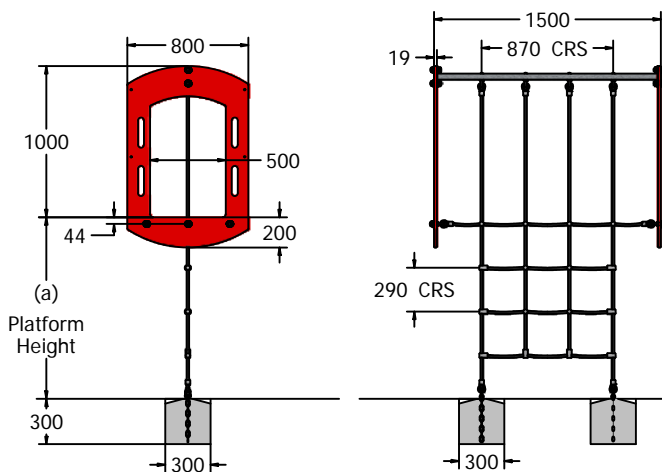
Steel Core Rope



FIMPCNB900
(For 0.9m Platform)



FIMPCNB1500
(For 1.5m Platform)



(a)
900mm
1200mm
1500mm

Designed to
British & European
Standard BS EN 1176

- Included**
- Fixings for Net to Platforms
- Not Included**
- Platforms (available separately)
 - 8x Fixings for panels to posts
 - Posts

Age Range: 4+ Years
 Largest Part: Net (a)+280mm x 1462mm
 Heaviest Part: Cross Bar Approx. 11.5kg
 Total Weight: Approx. (0.9m = 35kg), (1.2m = 36kg), (1.5m = 37kg)
 Surfacing : 1.5m from the extents of the equipment with a critical fall height in excess of (a)

Material: **Design Panel** - High Density Polyethylene (HDPE) with orange peel texture finish
Ropes - Steel core rope sheathed with braided nylon and joined with aluminium connectors
Stainless Steel - 304 grade stainless steel with dull polish (brushed) finish

Colour Choices: **Design Panel** - Broad selection available, visit the website below for further details
Ropes - Black with aluminium connectors as standard