

Product Information

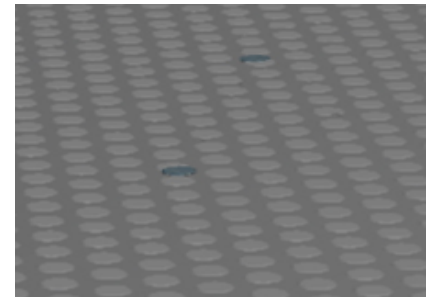
Curved Balance Beams



FIFTCUVBEAM200

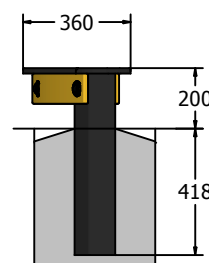
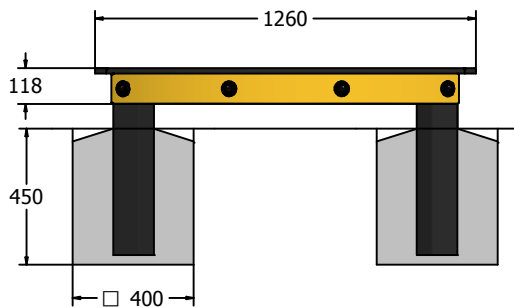


FIFTCUVBEAM400

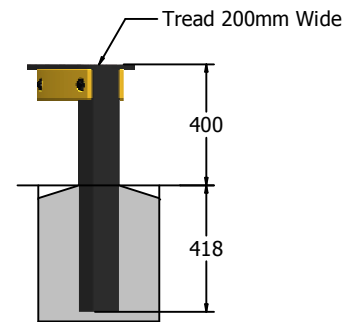


Anti-Slip Polydek Tread

Pre assembled Balance Beam section for easy installation.



FIFTCUVBEAM200



FIFTCUVBEAM400

FIFTCUVBEAM200

Age Range: 4+ Years
Largest Part: Beam Assembly 1260 x 360 x 118mm
Heaviest Part: Beam Assembly Approx. 11kg
Total Weight: Approx. 21kg
Surfacing : N/A

FIFTCUVBEAM400

Age Range: 4+ Years
Largest Part: Beam Assembly 1260 x 360 x 118mm
Heaviest Part: Beam Assembly Approx. 11kg
Total Weight: Approx. 24kg
Surfacing : N/A

Designed to
British & European
Standard BS EN 1176

Minimum Inspection Schedule

Inspection Type	Inspection Frequency
Visual	Every Month
Functionality	Every Month
Comprehensive	Every 6 Months

Material: **Single Colour Panel** - High Density Polyethylene (HDPE) with orange peel texture finish
Recycled Posts - Made from 100% recycled plastic with a heavy texture finish
Polydek - Recycled High Density Polyethylene (HDPE) with an anti-slip rubber top surface

Colour Choices: **Single Colour Panel** - Broad selection available, visit the website below for further details
Polydek - Anthracite Button (shown) or Blue Smooth