

Product Information

FIECOCQ-WP - Eco-Chime Quartet

BS EN 1176 - Designed to British & European Standards

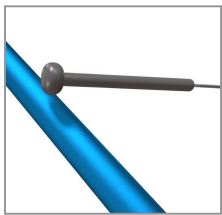
MATERIALS

Post - 100% recycled plastic with a heavy textured finish

Chimes - Multi-coloured anodised aluminium tube chimes

SUPPLY METHOD

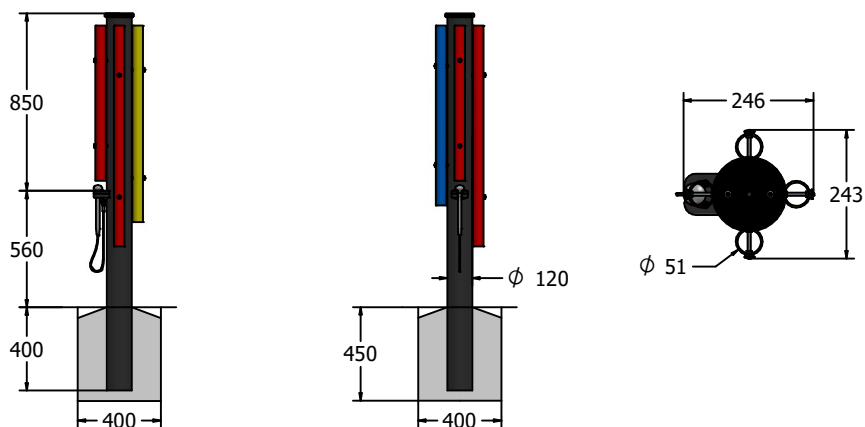
Chimes & Post - Assembled



Moulded beater with holder



DIMENSIONS



TECHNICAL

Age Range: 2+ Years
 Largest Part: 1810 x 243 x 246mm
 Total Weight: 19kg
 Surfacing: N/A

IMPORTANT: you must specify the colour option you require at the time of order if it is different from the colour listed/shown above, requirements are subject to availability at the time of order