

Product Information

FIECOTALL-WP - Eco Tall Chimes

BS EN 1176 - Designed to British & European Standards

MATERIALS

Panels - Two Colour High Density Polyethylene (HDPE)

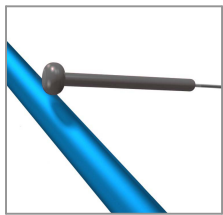
Post - 100% recycled plastic with a heavy textured finish

Chimes - Multi-coloured anodised aluminium tube chimes

SUPPLY METHOD

Panel - Assembled

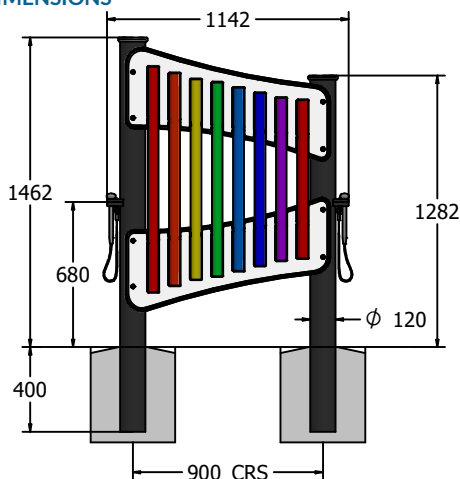
Posts - Assembled with beaters & post caps



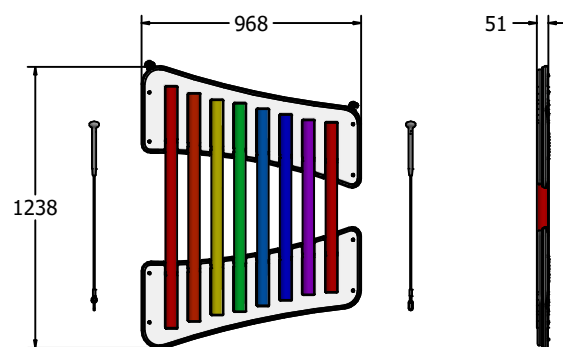
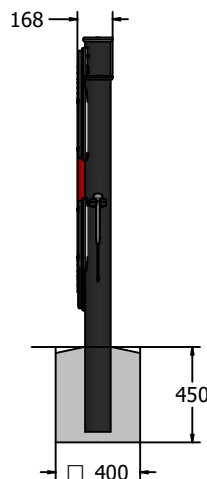
Moulded beater with holder (x2)



DIMENSIONS



FIECOTALL-WP
(WITH POSTS)



FIECOTALL
(WITHOUT POSTS)

TECHNICAL

Age Range: 2+ Years
Largest Part: FIECOTALL-WP - 1862 x 1142 x 168mm
Heaviest Part: Panel Assembly - 18.5kg Approx.
Total Weight: 52kg Approx.
Surfacing: N/A

Age Range: 2+ Years
Largest Part: FIECOTALL - 1238 x 968 x 51mm
Total Weight: 18.5kg Approx.
Surfacing: N/A

IMPORTANT: you must specify the colour option you require at the time of order if it is different from the colour listed/shown above, requirements are subject to availability at the time of order