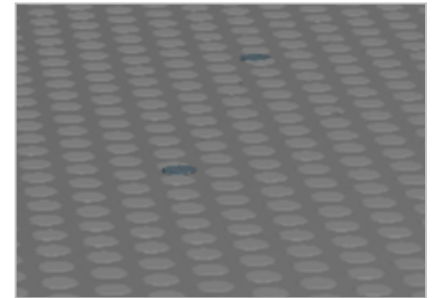
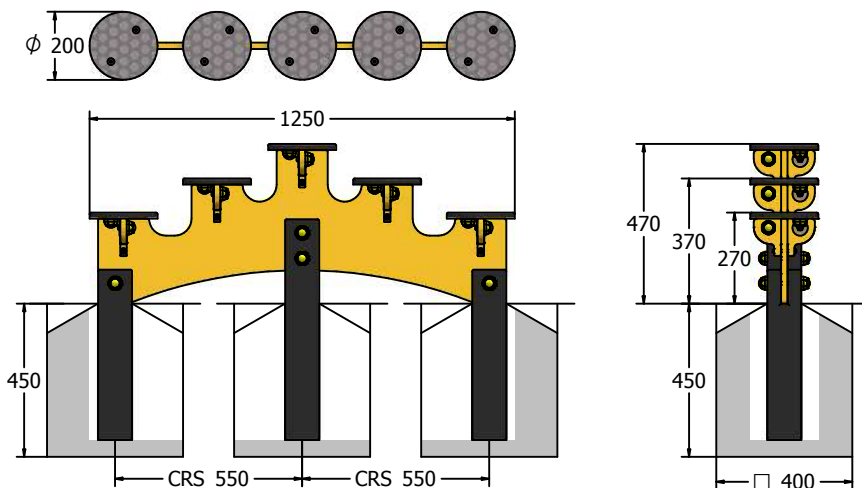


Product Information

FIFTSTEPST - Stepping Stones



Anti-Slip Polydek Tread



Designed to
British & European
Standard BS EN 1176

Stepping Stone section pre-assembled
for easy installation.

Age Range: 2+ Years
Largest Part: Stepping Stone Assembly 1250 x 470 x 200mm
Heaviest Part: Stepping Stone Assembly Approx. 30kg
Total Weight: Approx. 30kg
Surfacing : N/A

Minimum Inspection Schedule

| Type | Frequency |
|---------------|----------------|
| Visual | Every Month |
| Functionality | Every Month |
| Comprehensive | Every 6 Months |

Material: **Single Colour Panel** - High Density Polyethylene (HDPE) with orange peel texture finish
Recycled Posts - Made from 100% recycled plastic with a heavy texture finish
Polydek - Recycled High Density Polyethylene (HDPE) with an anti-slip rubber top surface

Colour Choices: **Single Colour Panel** - Broad selection available, visit the website below for further details
LumbeRock - Cedar as standard
Polydek - Anthracite Button (shown) or Blue Smooth