

Product Information

FIPTPIANOIN - PlayTronic Piano Insert

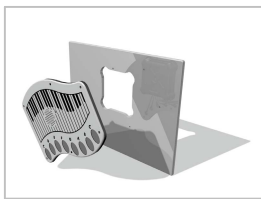
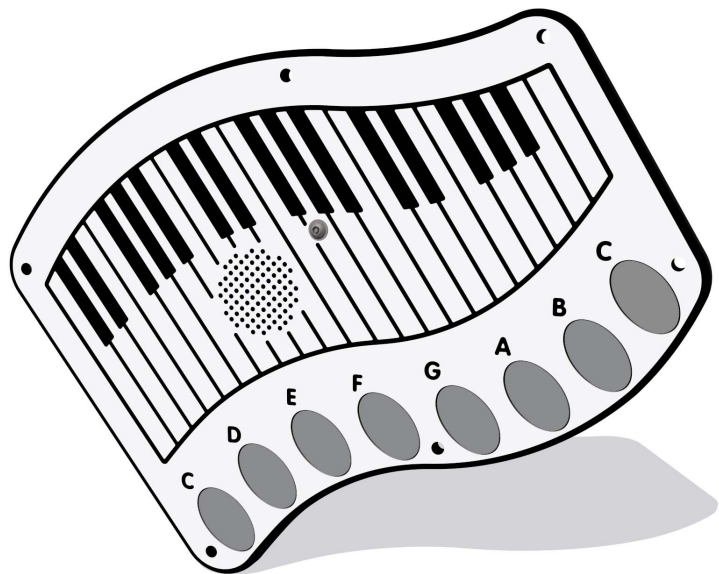
BS EN 1176 - Designed to British & European Standards

MATERIALS

Panel - Two Colour High Density Polyethylene (HDPE)

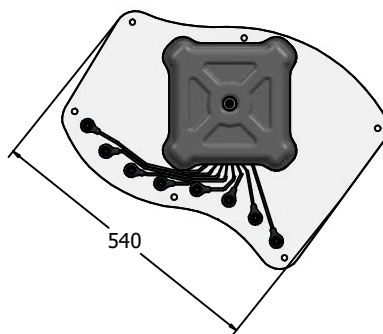
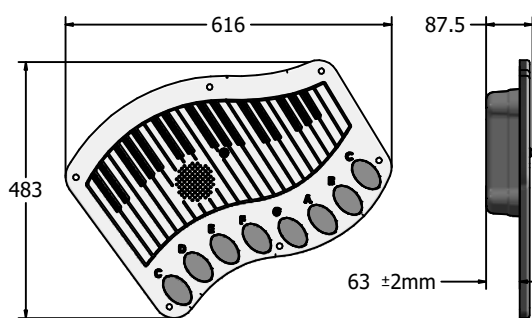
SUPPLY METHOD

Insert - Fully assembled

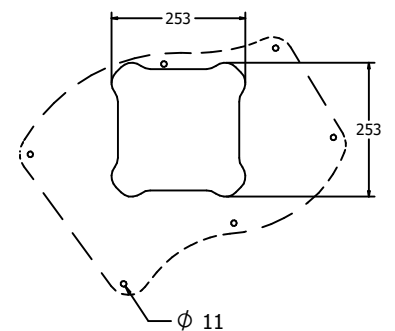


Insert can be easily attached to your own panel

DIMENSIONS



Host Panel Fixing Detail



CAD Template Available

TECHNICAL

Age Range: 2+ Years
 Largest Part: FIPTPIANOIN - 483 x 616 x 87.5mm
 Total Weight: FIPTPIANOIN - 4.5kg
 Surfacing: N/A

IMPORTANT: you must specify the colour option you require at the time of order if it is different from the colour listed/shown above, requirements are subject to availability at the time of order