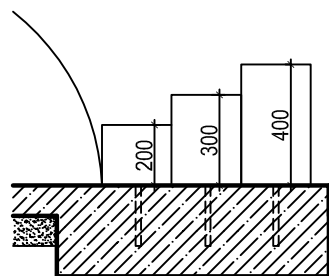
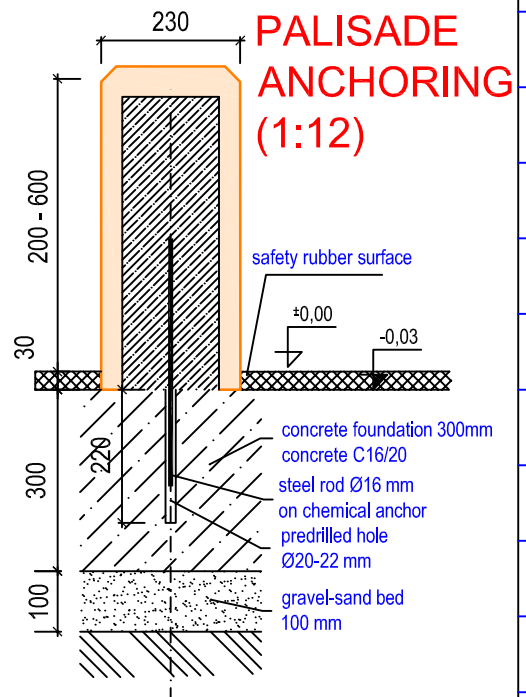
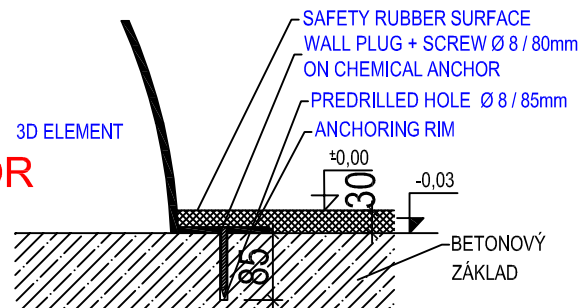


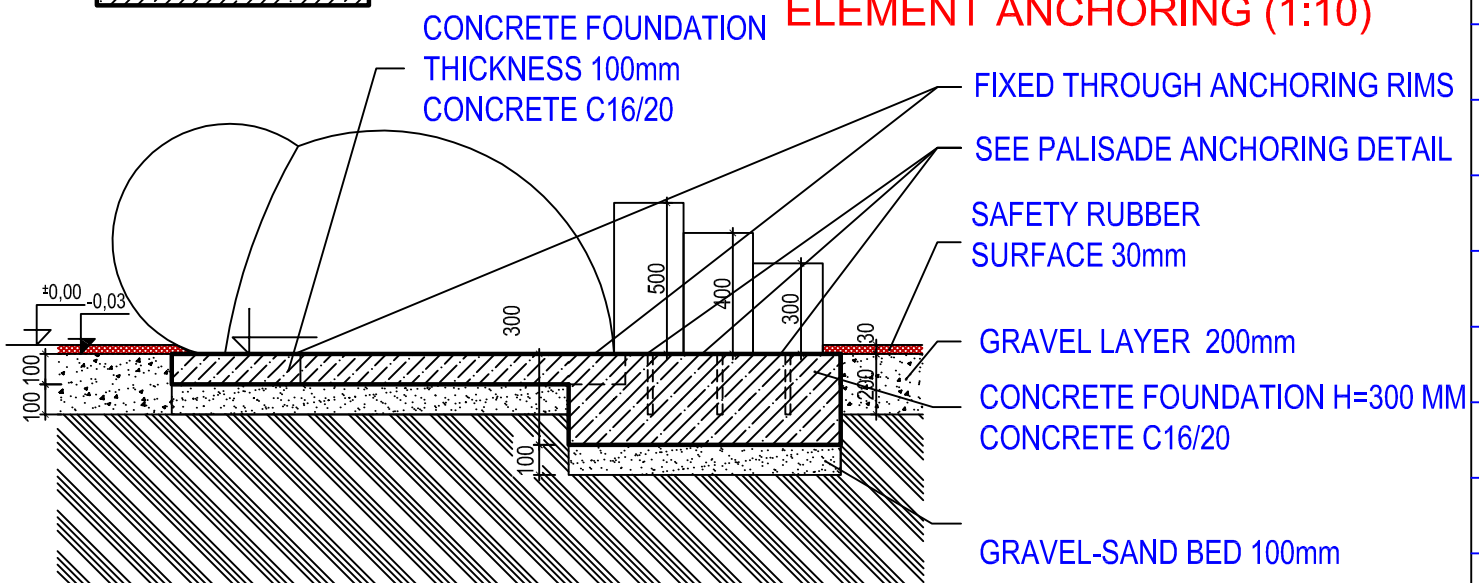
GROUND PLAN (1:25)



PALISADE ARRANGEMENT FOR LITTLE DRAGON (1:25)



ELEMENT ANCHORING (1:10)



ŘEZ ZÁKLADEM (1:25)

Author:		3D PROGRAM, s.r.o. Objizdná 1911 765 02 Otrokovice Tel: 602 500 045 Email: info@3dprogram.eu	
Ing. arch. F. Němec			
TECHNICAL DRAWING	Certified according to	EN71 , EN1176	
	Date of issue	20.5. 2017	
C02 - REPTILE C12 - LITTLE DRAGON	M 1:50, 1:25, 1:10	format 1xA4	
Foundation and anchoring - ground plan and section	C02_C12_0_EN.dwg	revision 0	