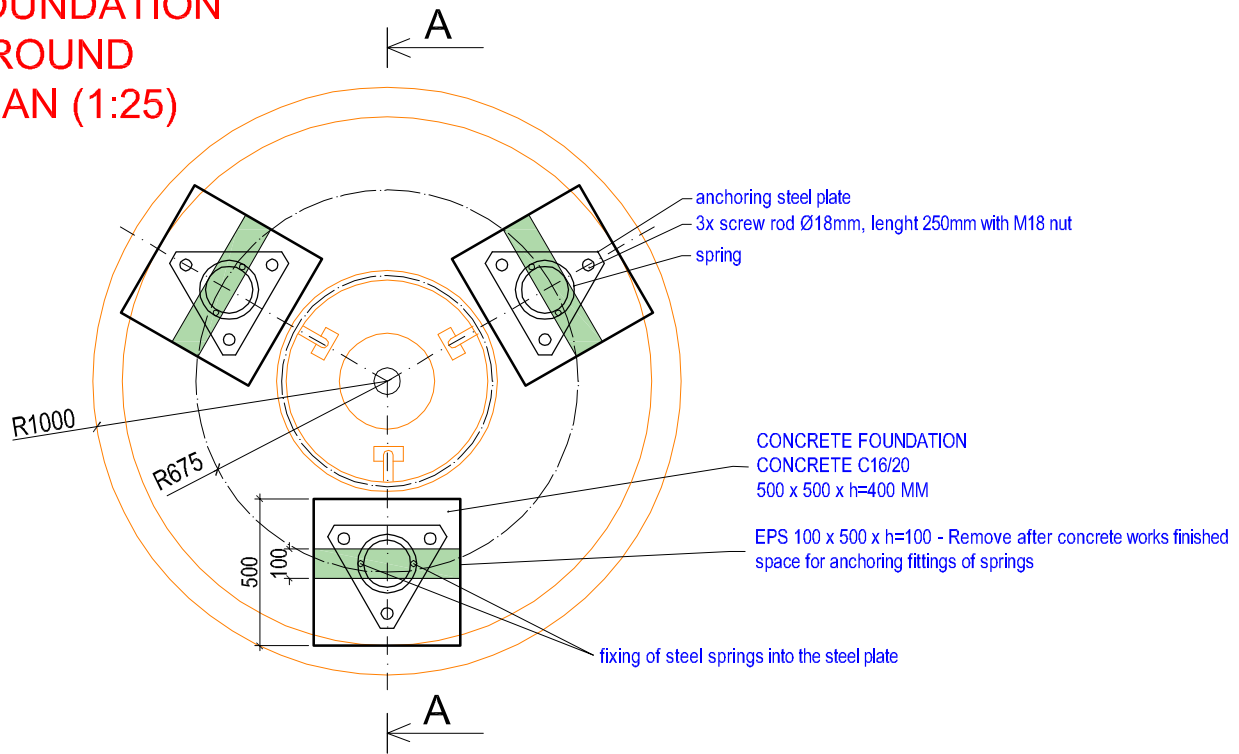
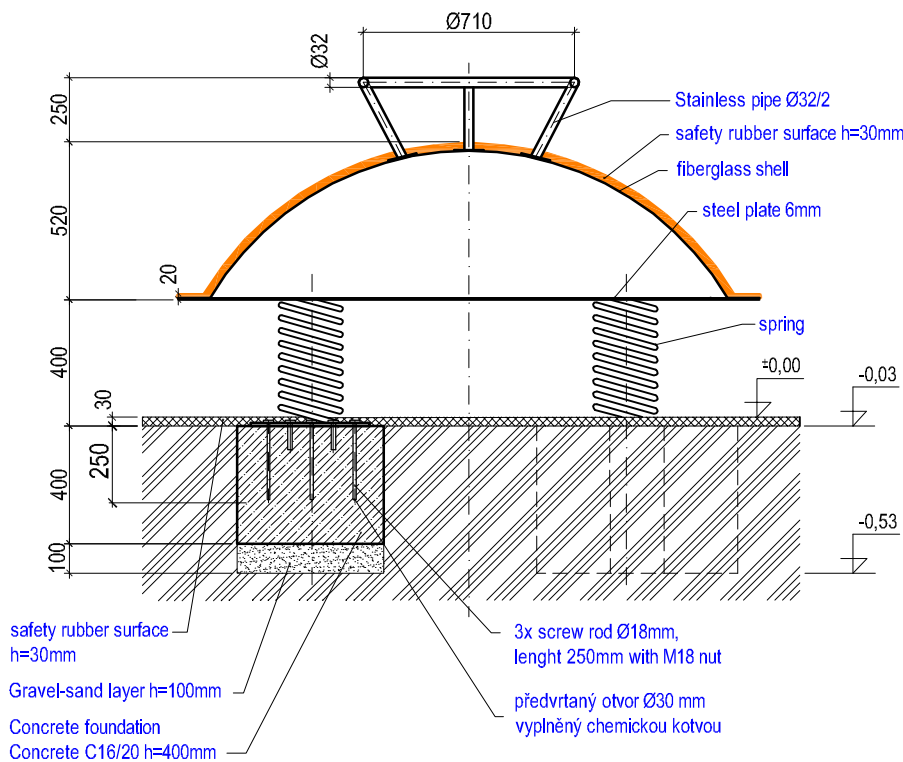


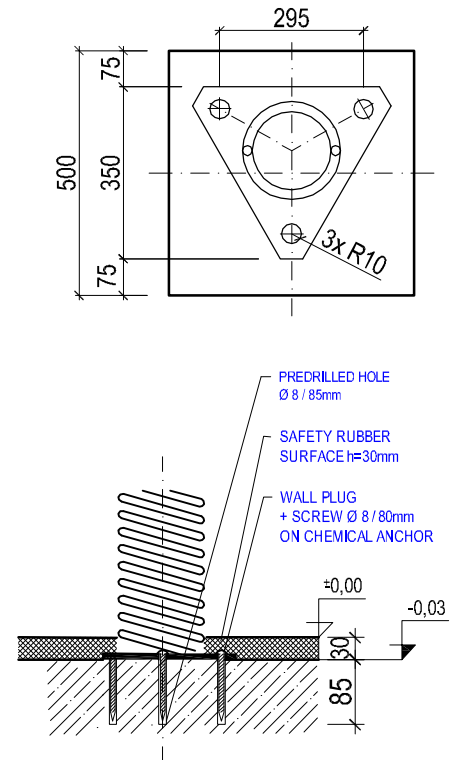
FOUNDATION GROUND PLAN (1:25)



SECTION A-A (1:25)



ANCHORING DETAIL (1:15)



Author:
MgA. Maxmilián Blšták

3D PROGRAM, s.r.o.
Objíždná 1911
765 02 Otrokovice
Tel: 602 500 045
Email: info@3dprogram.eu



TECHNICAL DRAWING

Certified according to EN71 , EN1176

Date of issue 22.2.2021

E14 - HILL ON SPRINGS

M 1:25, M 1:15

format 1xA4

Foundation and anchoring - ground plan and section

E14_EN.dwg

revision 0