

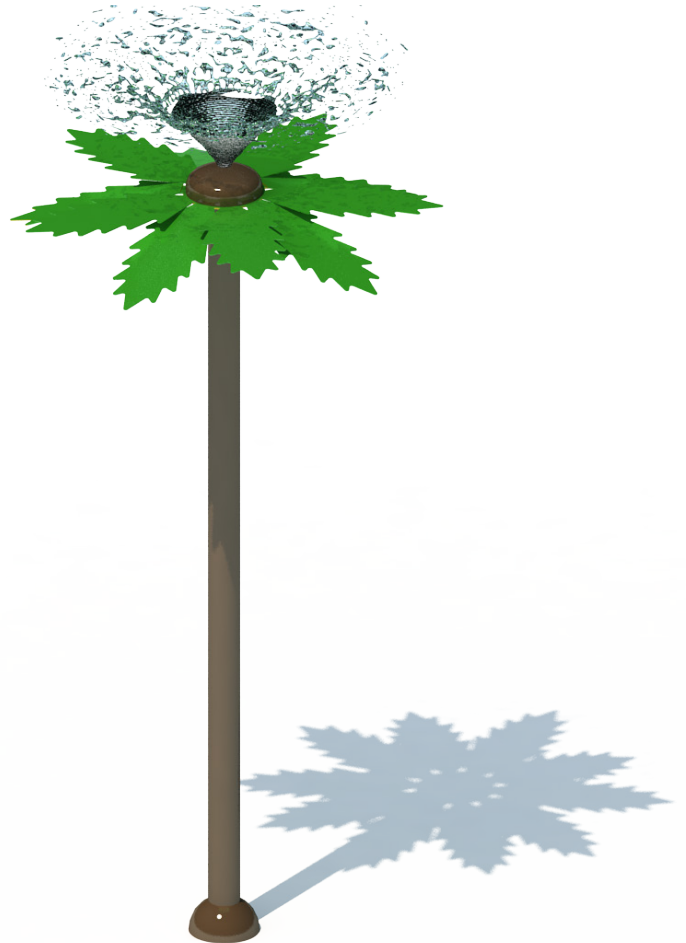


Nirbo water features are made from high quality stainless steel material, are very durable and have excellent fun factor. There are over one hundred different water features to choose from, this product is just a great example. We use brass or stainless steel nozzles which are ideal materials for the application.

### Palm Spring | 03115

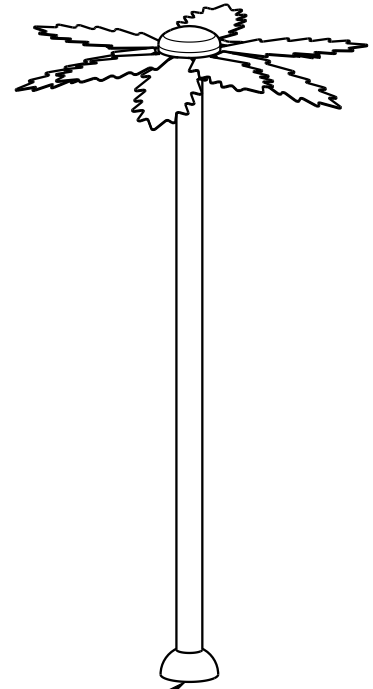
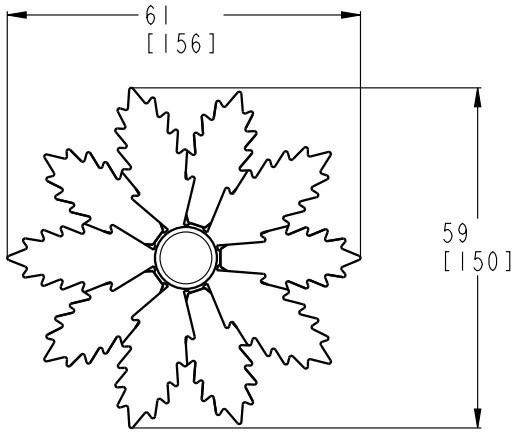
| GPM | PSI | LPM | Bar |
|-----|-----|-----|-----|
| 20  | 10  | 80  | 0.7 |

| Width        | Length       | Height        |
|--------------|--------------|---------------|
| 61" (156 cm) | 59" (150 cm) | 116" (295 cm) |

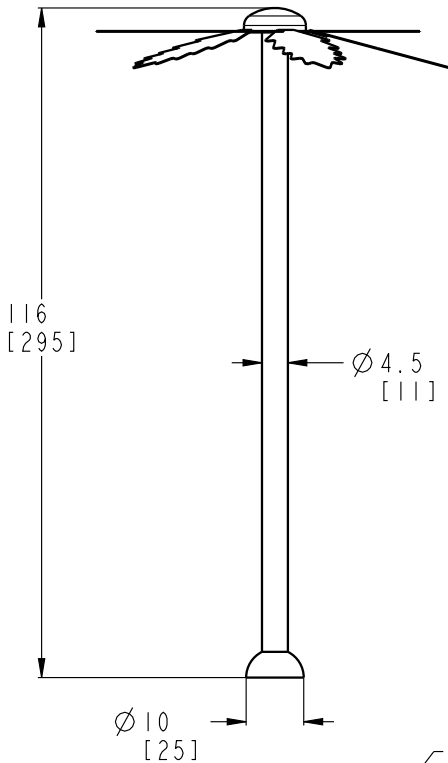


### Nirbo Aquatic Inc.

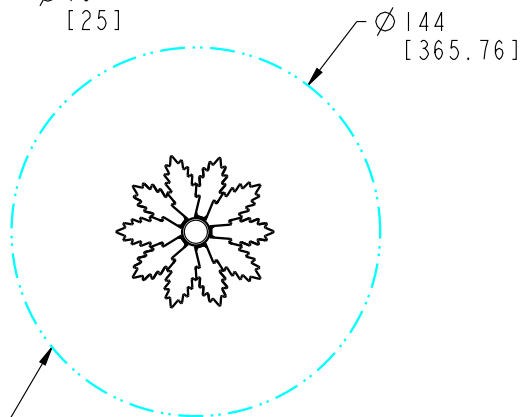
2430 Lucknow Drive, unit 14, Mississauga, ON L5S 1V3, Canada  
Toll Free: 1.888.68.NIRBO (64726) | Tel: 1.905.766.4474 | Fax: 1.905.766.4467  
Website: [www.nirbo.com](http://www.nirbo.com) | Email: [info@nirbo.com](mailto:info@nirbo.com)



FOR FOOTING DETAILS  
SEE DRAWING NO:  
03008-33



| FLOW (5-10 PSI) | LOW    | NORMAL | HIGH    |
|-----------------|--------|--------|---------|
| GPM-[LPM]       | 15[60] | 20[80] | 30[120] |



SPRAY ZONE

SCALE 1:75

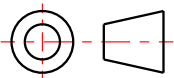
- 1- STRUCTURE: TYPE 304 STAINLESS STEEL  
NOZZLE: STAINLESS STEEL
- 2- FINISH: UV RESISTANT POLYESTER POWDER COATING
- 3- PRODUCT INCLUDES:  
ANCHOR BOLTS WITH HARDWARE AND FOOTING TEMPLATE  
SPRAY NOZZLES  
WINTER NOZZLE CAPS  
SERVICE TOOLS  
TAMPER RESISTANT HARDWARE
- 4- GROUND COMPONENT WITH #6 BARE COPPER WIRE
- 5- PRODUCT COMPLIANCE:  
MEETS ADA ACCESSIBILITY GUIDELINES  
MEETS CURRENT ASTM F1487 SAFETY STANDARDS

**NIRBO  
AQUATIC INC.**

ALL INFORMATION CONTAINED  
IN THIS DOCUMENT IS PROPERTY  
OF NIRBO AQUATIC INC. AND  
MAY NOT BE REPRODUCED OR  
COMMUNICATED WITHOUT  
PERMISSION IN WRITING FROM  
NIRBO AQUATIC INC.

DATE  
(yyyy.mm.dd)  
2013.11.26

PALM SPRINGS  
SURFACE MOUNTED



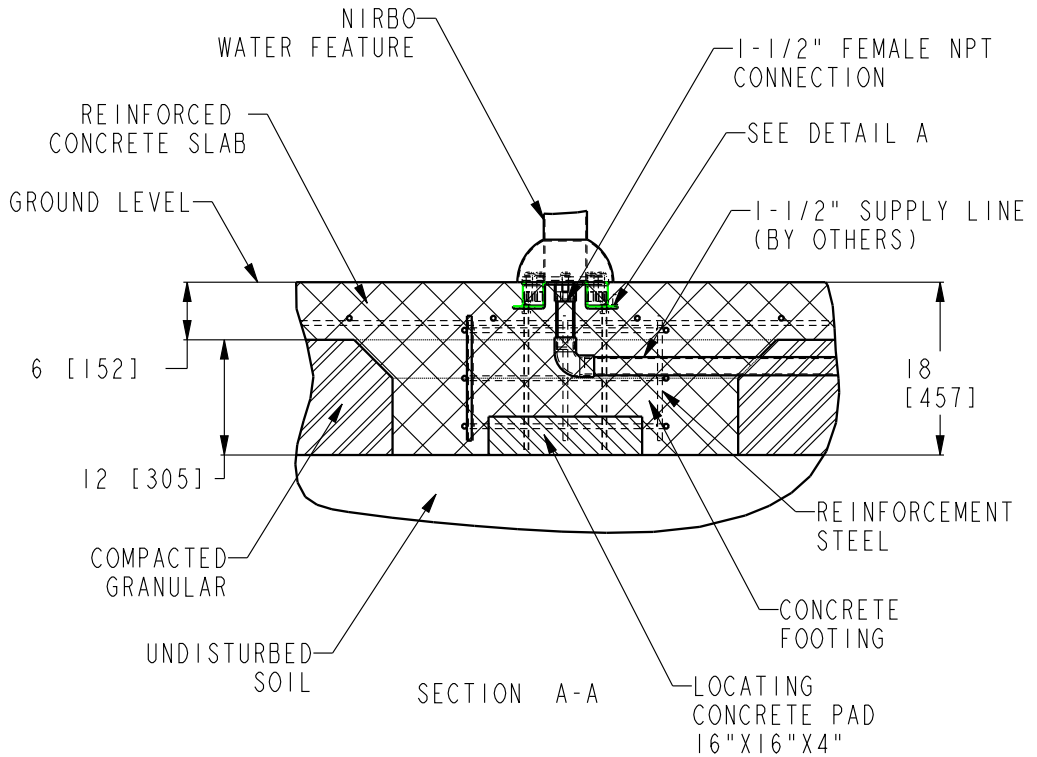
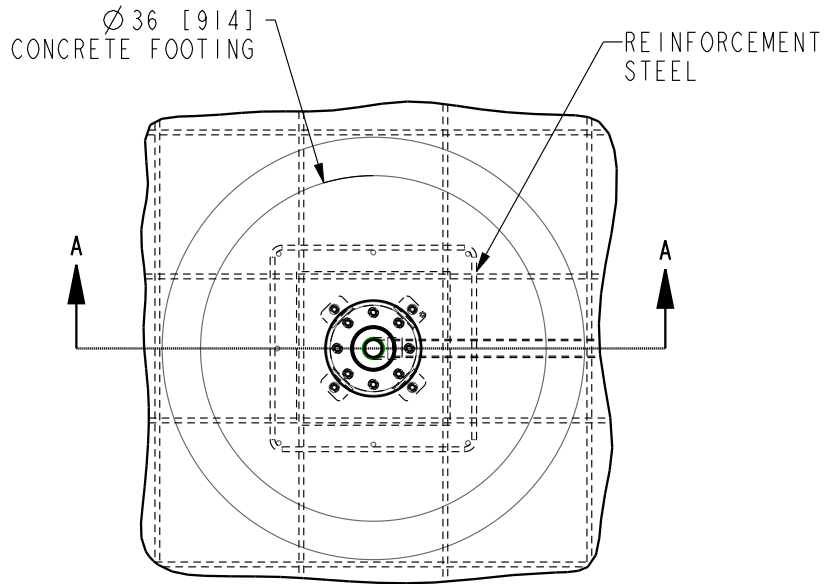
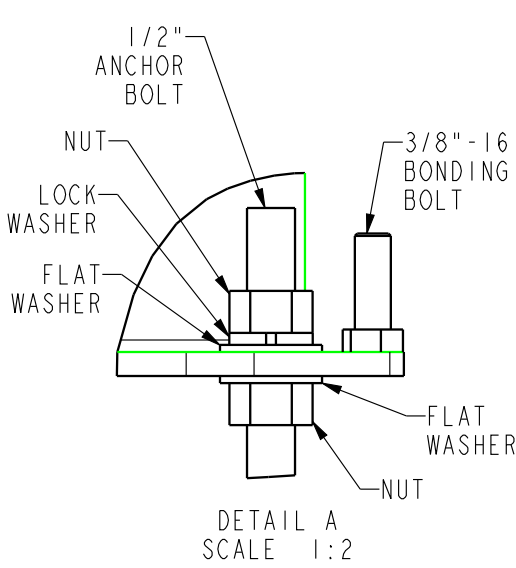
UNIT  
INCH  
[CM]

SHEET  
1/2

DRAWING NO  
03115-02-D15

REV  
01

Nirbo Aquatic Inc.  
Tel: 1-905-766-4474, Fax: 1-905-766-4467, Web: www.nirbo.com



NOTES:

- 1- FOLLOW LOCAL CODES, WHEREVER APPLICABLE.
- 2- GRANULAR BASE THICKNESS SHALL MEET LOCAL BUILDING CODE REQUIREMENTS.
- 3- WATER SUPPLY LINE SHALL BE INSTALLED PER LOCAL BUILDING CODES.
- 4- HARDWARE SUPPLIED BY MANUFACTURER SHALL BE USED.

|                               |  |                                    |  |                        |           |
|-------------------------------|--|------------------------------------|--|------------------------|-----------|
| <b>NIRBO<br/>AQUATIC INC.</b> | ALL INFORMATION CONTAINED IN THIS DOCUMENT IS PROPERTY OF NIRBO AQUATIC INC. AND MAY NOT BE REPRODUCED OR COMMUNICATED WITHOUT PERMISSION IN WRITING FROM NIRBO AQUATIC INC. | DATE<br>(yyyy.mm.dd)<br>2018.10.24 | SURFACE MOUNTED INSTALLATION,<br>3" & 4" PIPES |                        |           |
|                               |  | UNIT<br>INCH<br>[mm]               | SHEET<br>1 / 1                                 | DRAWING NO<br>03008-33 | REV<br>01 |