



Nirbo water features are made from high quality stainless steel material, are very durable and have excellent fun factor. There are over one hundred different water features to choose from, this product is just a great example. We use brass or stainless steel nozzles which are ideal materials for the application.

### Five Mix | 03206

GPM	PSI	LPM	Bar
30	10	120	0.7

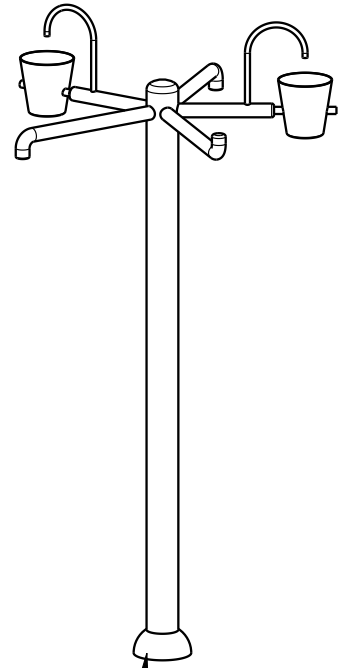
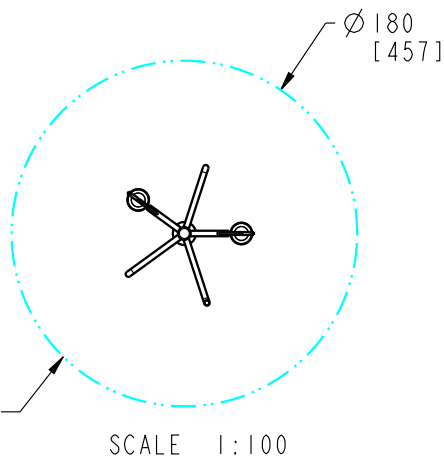
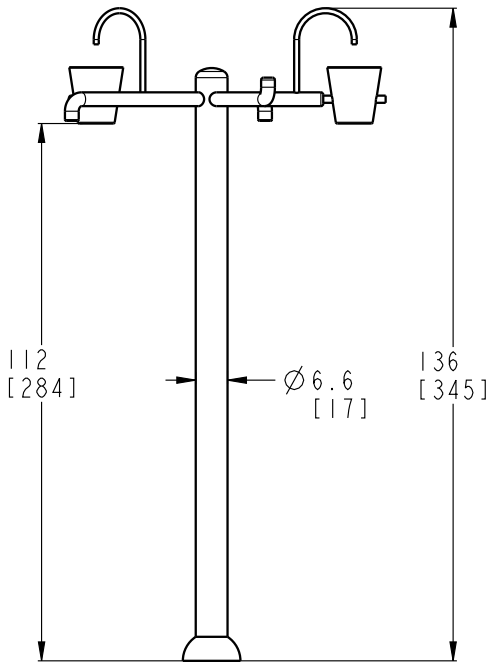
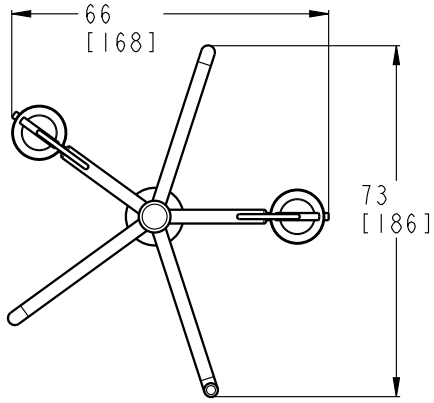
  

Width	Length	Height
66" (168 cm)	73" (186 cm)	136" (345 cm)



### Nirbo Aquatic Inc.

2430 Lucknow Drive, unit 14, Mississauga, ON L5S 1V3, Canada  
Toll Free: 1.888.68.NIRBO (64726) | Tel: 1.905.766.4474 | Fax: 1.905.766.4467  
Website: [www.nirbo.com](http://www.nirbo.com) | Email: [info@nirbo.com](mailto:info@nirbo.com)



FOR FOOTING DETAILS SEE  
DRAWING NO: 03008-32

FLOW (5-10 PSI)	LOW	NORMAL	HIGH
GPM-[LPM]	20[80]	30[120]	45[180]

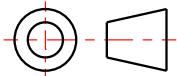
- 1- STRUCTURE: TYPE 304 STAINLESS STEEL  
NOZZLE: BRASS WITH TAMPER RESISTANT FEATURES  
BUCKET: FRP
- 2- FINISH: UV RESISTANT POLYESTER POWDER COATING
- 3- PRODUCT INCLUDES:  
ANCHOR BOLTS WITH HARDWARE AND FOOTING  
TEMPLATE, NOZZLES, WINTER NOZZLE CAPS, SERVICE  
TOOLS & TAMPER RESISTANT HARDWARE
- 4- GROUND COMPONENT WITH #6 BARE COPPER WIRE
- 5- PRODUCT COMPLIANCE:  
MEETS ADA ACCESSIBILITY GUIDELINES  
MEETS CURRENT ASTM F1487 SAFETY STANDARDS

**NIRBO  
AQUATIC INC.**

ALL INFORMATION CONTAINED  
IN THIS DOCUMENT IS PROPERTY  
OF NIRBO AQUATIC INC. AND  
MAY NOT BE REPRODUCED OR  
COMMUNICATED WITHOUT  
PERMISSION IN WRITING FROM  
NIRBO AQUATIC INC.

DATE  
(yyyy.mm.dd)  
2013.11.13

FIVE MIX  
TOP MOUNTED



UNIT  
INCH  
[CM]

SHEET  
1/2

DRAWING NO  
03206-02-D15

REV  
01

2

1

Nirbo Aquatic Inc.  
 Tel: 1-905-766-4474, Fax: 1-905-766-4467, Web: www.nirbo.com

DETAIL A  
 SCALE 1:2

SECTION A-A

NOTES:

- 1- FOLLOW LOCAL CODES, WHEREVER APPLICABLE.
- 2- GRANULAR BASE THICKNESS SHALL MEET LOCAL BUILDING CODE REQUIREMENTS.
- 3- WATER SUPPLY LINE SHALL BE INSTALLED PER LOCAL BUILDING CODES.
- 4- HARDWARE SUPPLIED BY MANUFACTURER SHALL BE USED.

	ALL INFORMATION CONTAINED IN THIS DOCUMENT IS PROPERTY OF NIRBO AQUATIC INC. AND MAY NOT BE REPRODUCED OR COMMUNICATED WITHOUT PERMISSION IN WRITING FROM NIRBO AQUATIC INC.	DATE (yyyy.mm.dd)	SURFACE MOUNTED INSTALLATION, 6" PIPES		
		2019.01.12			
		UNIT	SHEET	DRAWING NO	REV
		INCH [mm]	1 / 1	03008-32	01

2

1