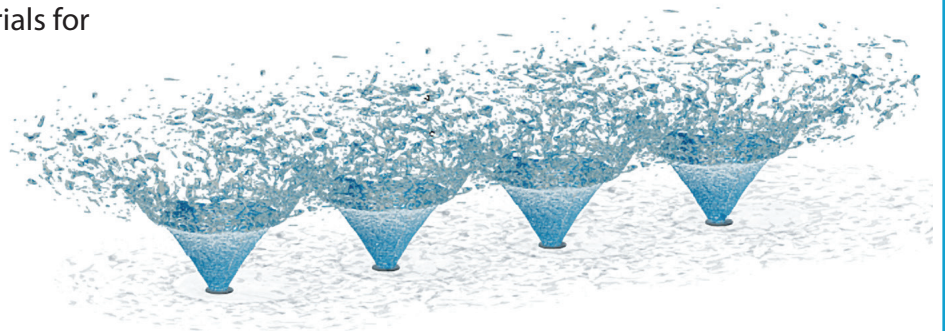




Nirbo water features are made from high quality stainless steel material, are very durable and have excellent fun factor. There are over one hundred different water features to choose from, this product is just a great example. We use brass or stainless steel nozzles which are ideal materials for the application.



### **Four Liquid Cones** | 03380

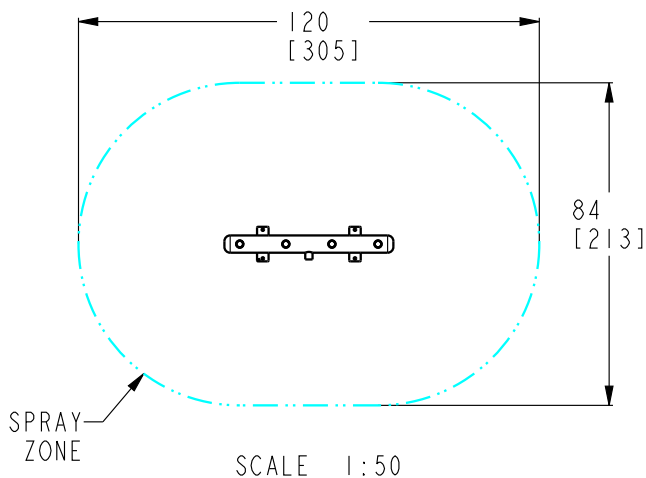
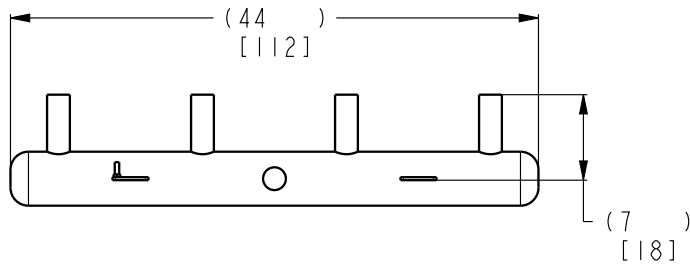
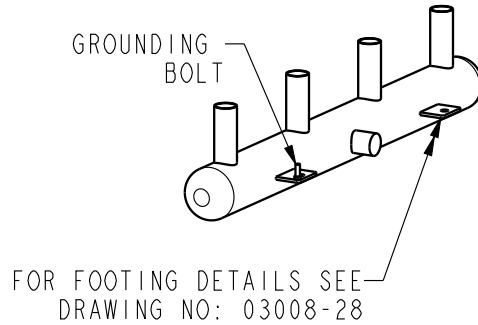
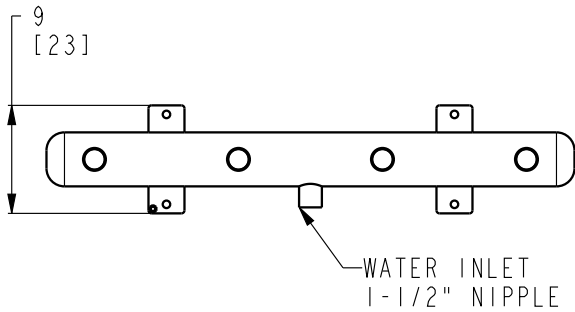
<b>GPM</b>	<b>PSI</b>	<b>LPM</b>	<b>Bar</b>
24	5	96	0.35

<b>Width</b>	<b>Length</b>	<b>Height</b>
9" (23 cm)	44" (112 cm)	9" (23 cm)

### **Nirbo Aquatic Inc.**

2430 Lucknow Drive, unit 14, Mississauga, ON L5S 1V3, Canada  
Toll Free: 1.888.68.NIRBO (64726) | Tel: 1.905.766.4474 | Fax: 1.905.766.4467  
Website: [www.nirbo.com](http://www.nirbo.com) | Email: [info@nirbo.com](mailto:info@nirbo.com)



FLOW RATE AT (5-10) PSI	LOW	NORMAL	HIGH
GPM-[LPM]	18[72]	24[96]	36[144]

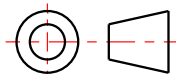
- 1- STRUCTURE: TYPE 304 STAINLESS STEEL  
NOZZLE: BRASS WITH TAMPER RESISTANT FEATURES
- 2- FINISH: NONE
- 3- PRODUCT INCLUDES:  
ANCHOR BOLTS WITH HARDWARE AND FOOTING TEMPLATE  
SPRAY NOZZLES  
WINTER NOZZLE CAPS  
SERVICE TOOLS  
TAMPER RESISTANT HARDWARE
- 4- GROUND COMPONENT WITH #6 BARE COPPER WIRE
- 5- PRODUCT COMPLIANCE:  
MEETS ADA ACCESSIBILITY GUIDELINES  
MEETS CURRENT ASTM F1487 SAFETY STANDARDS

**NIRBO  
AQUATIC INC.**

ALL INFORMATION CONTAINED  
IN THIS DOCUMENT IS PROPERTY  
OF NIRBO AQUATIC INC. AND  
MAY NOT BE REPRODUCED OR  
COMMUNICATED WITHOUT  
PERMISSION IN WRITING FROM  
NIRBO AQUATIC INC.

DATE  
(yyyy.mm.dd)  
2013.11.29

FOUR LIQUID CONES



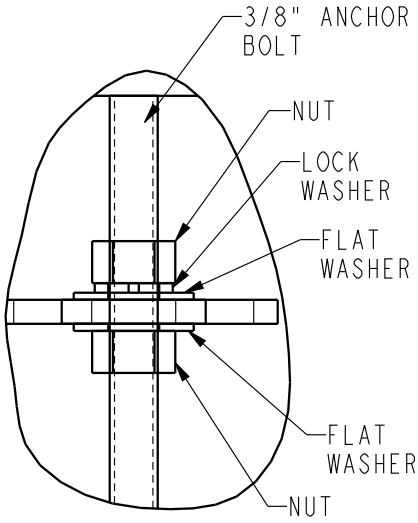
UNIT  
INCH  
[CM]

SHEET  
1/2

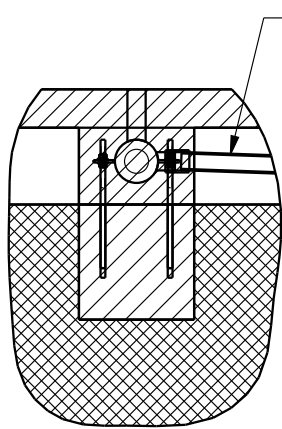
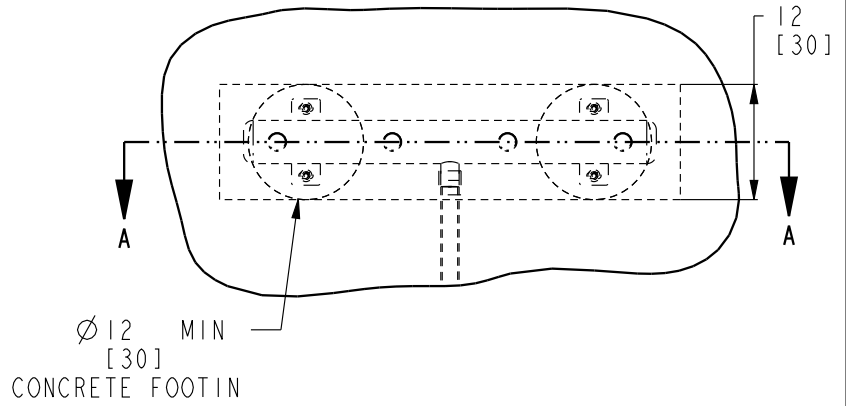
DRAWING NO  
03380-01-D15

REV  
01

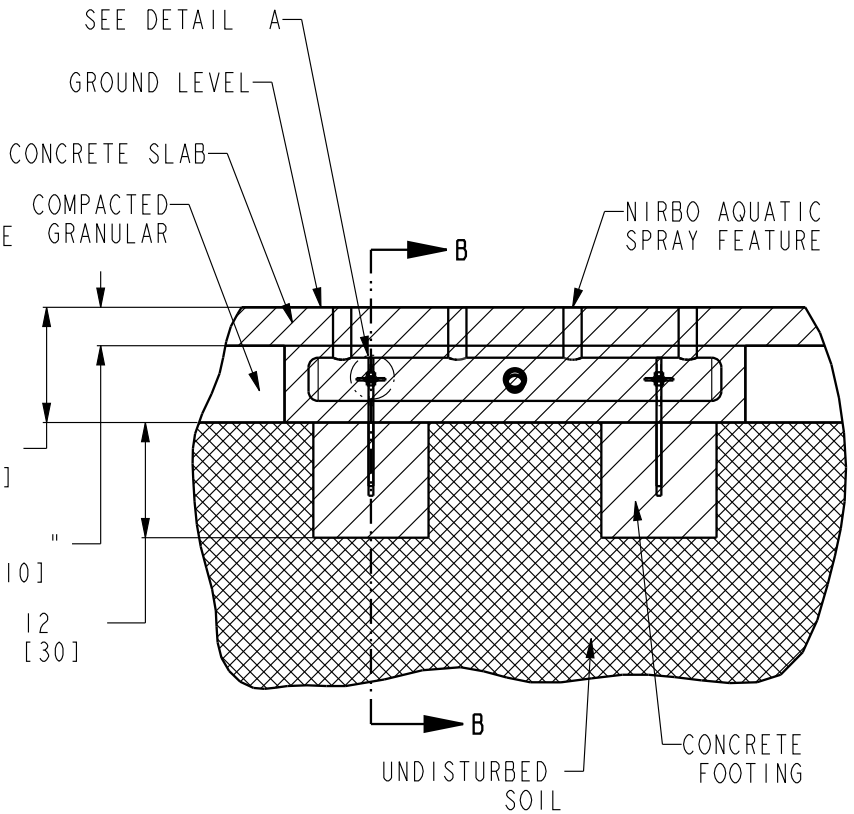
Nirbo Aquatic Inc.  
 Tel: 1-905-766-4474, Fax: 1-905-766-4467, Web: www.nirbo.com



DETAIL A  
 SCALE 1:2



SECTION B-B



SECTION A-A

NOTES:

- 1- FOLLOW LOCAL CODES, WHEREVER APPLICABLE.
- 2- GRANULAR BASE THICKNESS SHALL MEET LOCAL BUILDING CODE REQUIREMENTS.
- 3- WATER SUPPLY LINE SHALL BE INSTALLED PER LOCAL BUILDING CODES.
- 4- HARDWARE SUPPLIED BY MANUFACTURER SHALL BE USED.

**NIRBO  
 AQUATIC INC.**

ALL INFORMATION CONTAINED  
 IN THIS DOCUMENT IS PROPERTY  
 OF NIRBO AQUATIC INC. AND  
 MAY NOT BE REPRODUCED OR  
 COMMUNICATED WITHOUT  
 PERMISSION IN WRITING FROM  
 NIRBO AQUATIC INC.

DATE  
 (yyyy.mm.dd)  
 2013.10.19

UNIT  
 INCH  
 [CM]

INSTALLATION

SHEET  
 1 / 1

DRAWING NO  
 03008-28

REV  
 01