



Nirbo water features are made from high quality stainless steel material, are very durable and have excellent fun factor. There are over one hundred different water features to choose from, this product is just a great example. We use brass or stainless steel nozzles which are ideal materials for the application.

Dome Mister | 03391

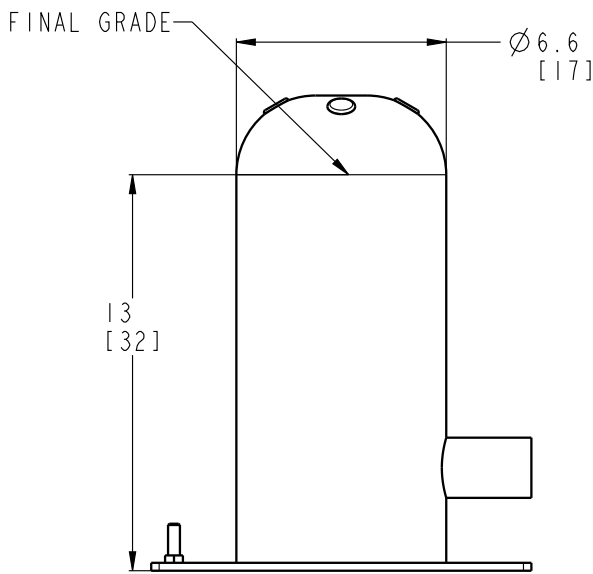
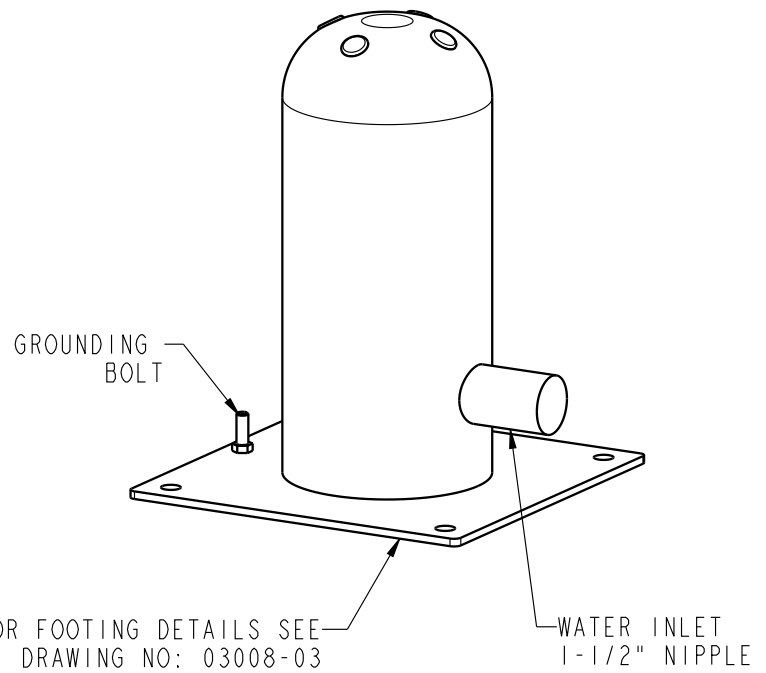
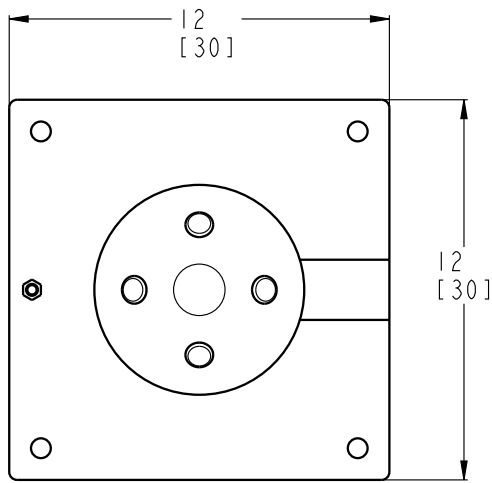
GPM	PSI	LPM	Bar
10	5	40	0.35

Width	Length	Height
12" (30 cm)	12" (30 cm)	13" (32 cm)

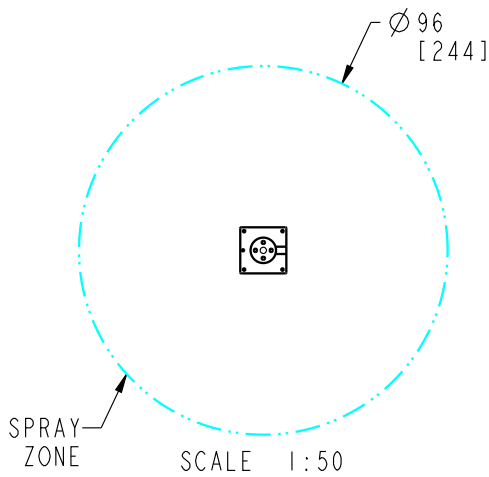


Nirbo Aquatic Inc.

2430 Lucknow Drive, unit 14, Mississauga, ON L5S 1V3, Canada
Toll Free: 1.888.68.NIRBO (64726) | Tel: 1.905.766.4474 | Fax: 1.905.766.4467
Website: www.nirbo.com | Email: info@nirbo.com



FOR FOOTING DETAILS SEE
DRAWING NO: 03008-03



FLOW (5-10 PSI)	LOW	NORMAL	HIGH
GPM-[LPM]	7 [28]	10 [40]	15[57]

- 1- STRUCTURE: TYPE 304 STAINLESS STEEL
NOZZLE: BRASS WITH TAMPER RESISTANT FEATURES
- 2- FINISH: UV RESISTANT POLYESTER POWDER COATING
- 3- PRODUCT INCLUDES:
STAINLESS STEEL ANCHOR BOLTS WITH HARDWARE
FOOTING TEMPLATE, SPRAY NOZZLES, WINTER NOZZLE
CAPS, SERVICE TOOLS AND TAMPER RESISTANT
HARDWARE
- 4- GROUND COMPONENT WITH #6 BARE COPPER WIRE
- 5- PRODUCT COMPLIANCE:
MEETS ADA ACCESSIBILITY GUIDELINES
MEETS CURRENT ASTM F1487 SAFETY STANDARDS

**NIRBO
AQUATIC INC.**

ALL INFORMATION CONTAINED
IN THIS DOCUMENT IS PROPERTY
OF NIRBO AQUATIC INC. AND
MAY NOT BE REPRODUCED OR
COMMUNICATED WITHOUT
PERMISSION IN WRITING FROM
NIRBO AQUATIC INC.

DATE
(yyyy.mm.dd)
2013.11.29

GROUND MISTER

UNIT
INCH
[CM]

SHEET
1 / 2

DRAWING NO
03391-01-D15

REV
01

2

1

Nirbo Aquatic Inc.
Tel: 1-905-766-4474, Fax: 1-905-766-4467, Web: www.nirbo.com

5/8" ANCHOR BOLT
NUT
LOCK WASHER
FLAT WASHER
FLAT WASHER
NUT

3.5
1.5

DETAIL A
SCALE 1:2

Ø 24 MIN
CONCRETE FOOTING

10
10

GROUND LEVEL
CONCRETE SLAB
COMPACTED GRANULAR
12" MIN
CONCRETE SLAB
UNDISTURBED SOIL
STEEL REINFORCED
CONCRETE FOOTING

NIRBO AQUATIC
SPRAY FEATURE
COUPLING BY NIRBO
1-1/2" SUPPLY LINE
1% SLOPE FOR
WINTERIZATION
(BY OTHERS)

24 MIN
CONCRETE
FOOTING

SEE DETAIL A

SECTION A-A

NOTES:

- 1- FOLLOW LOCAL CODES, WHEREVER APPLICABLE.
- 2- GRANULAR BASE THICKNESS SHALL MEET LOCAL BUILDING CODE REQUIREMENTS.
- 3- WATER SUPPLY SHALL BE INSTALLED BELOW FROST LINE (SEE LOCAL BUILDING CODE).
- 4- HARDWARE SUPPLIED BY MANUFACTURER SHALL BE USED ONLY.

**NIRBO
AQUATIC INC.**

ALL INFORMATION CONTAINED
IN THIS DOCUMENT IS PROPERTY
OF NIRBO AQUATIC INC. AND
MAY NOT BE REPRODUCED OR
COMMUNICATED WITHOUT
PERMISSION IN WRITING FROM
NIRBO AQUATIC INC.

DATE
(yyyy.mm.dd)
2011.02.15

UNIT
FT-INCH
[CM]

EMBEDDED INSTALLATION
6" PIPE

SHEET	DRAWING NO	REV
1 / 1	03008-03	01

2

1