

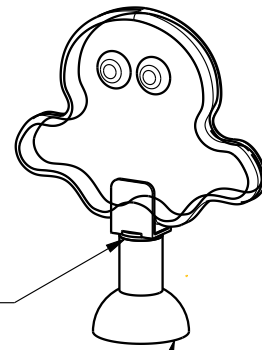
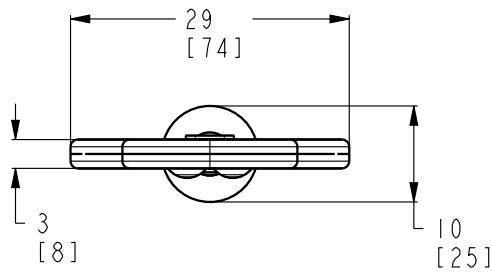


Nirbo water features are made from high quality stainless steel and engineering plastics materials, therefore they are very durable and have excellent fun factor. There are over one hundred different water features to choose from, this product is just a great example. We use brass or stainless steel nozzles which are ideal materials for the application. This product also turns left and right which makes it highly interactive.

### Jellyfish | 03469

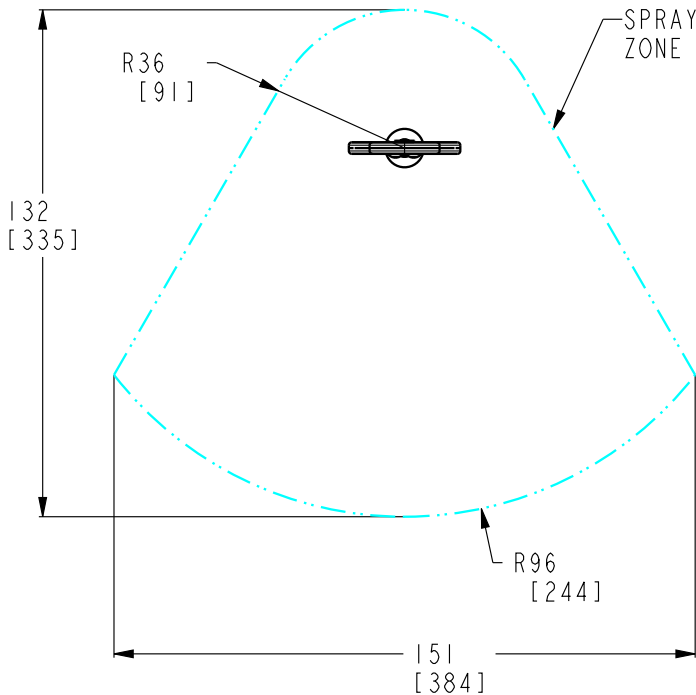
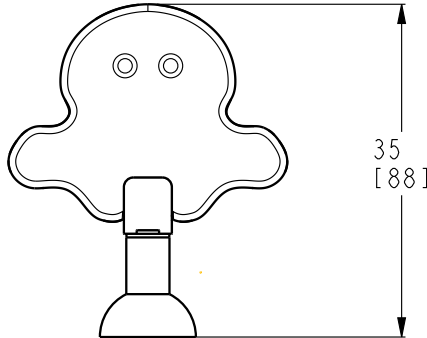
GPM	Max PSI	LPM	Max Bar
10	10	40	0.7
Width	Length	Height	
29" (74 cm)	10" (25 cm)	35" (88 cm)	

**Nirbo Aquatic Inc.**  
**2400 Lucknow Drive, unit 39, Mississauga, ON L5S 1T9, Canada**  
**Toll Free: 1.888.68.NIRBO (64726) | Tel: 1.905.766.4474 | Fax:**  
**1.905.766.4467**  
**Website: [www.nirbo.com](http://www.nirbo.com) | Email: [info@nirbo.com](mailto:info@nirbo.com)**



SWIVEL JOINT

FOR FOOTING DETAILS SEE  
DRAWING NO: 03008-33



FLOW (5-10 PSI)	LOW	NORMAL	HIGH
GPM-[LPM]	7 [28]	10 [40]	15 [60]

- 1- THIS PRODUCT, TURNS LEFT/RIGHT.
- 2- POST: TYPE 304 STAINLESS STEEL  
BODY: ENGINEERING POLYMER  
NOZZLE: STAINLESS STEEL  
BEARINGS: BRONZE
- 3- FINISH: UV RESISTANT PAINT
- 4- PRODUCT INCLUDES:  
ANCHOR BOLTS WITH HARDWARE  
SPRAY NOZZLES  
WINTER NOZZLE CAPS  
SERVICE TOOLS  
TAMPER RESISTANT HARDWARE
- 5- GROUND COMPONENT WITH #6 BARE COPPER WIRE
- 6- PRODUCT COMPLIANCE:  
MEETS ADA ACCESSIBILITY GUIDELINES  
MEETS CURRENT ASTM F1487 SAFETY STANDARDS

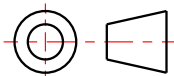
SCALE 1:50

**NIRBO  
AQUATIC INC.**

ALL INFORMATION CONTAINED  
IN THIS DOCUMENT IS PROPERTY  
OF NIRBO AQUATIC INC. AND  
MAY NOT BE REPRODUCED OR  
COMMUNICATED WITHOUT  
PERMISSION IN WRITING FROM  
NIRBO AQUATIC INC.

DATE  
(yyyy.mm.dd)  
2015.12.24

JELLYFISH



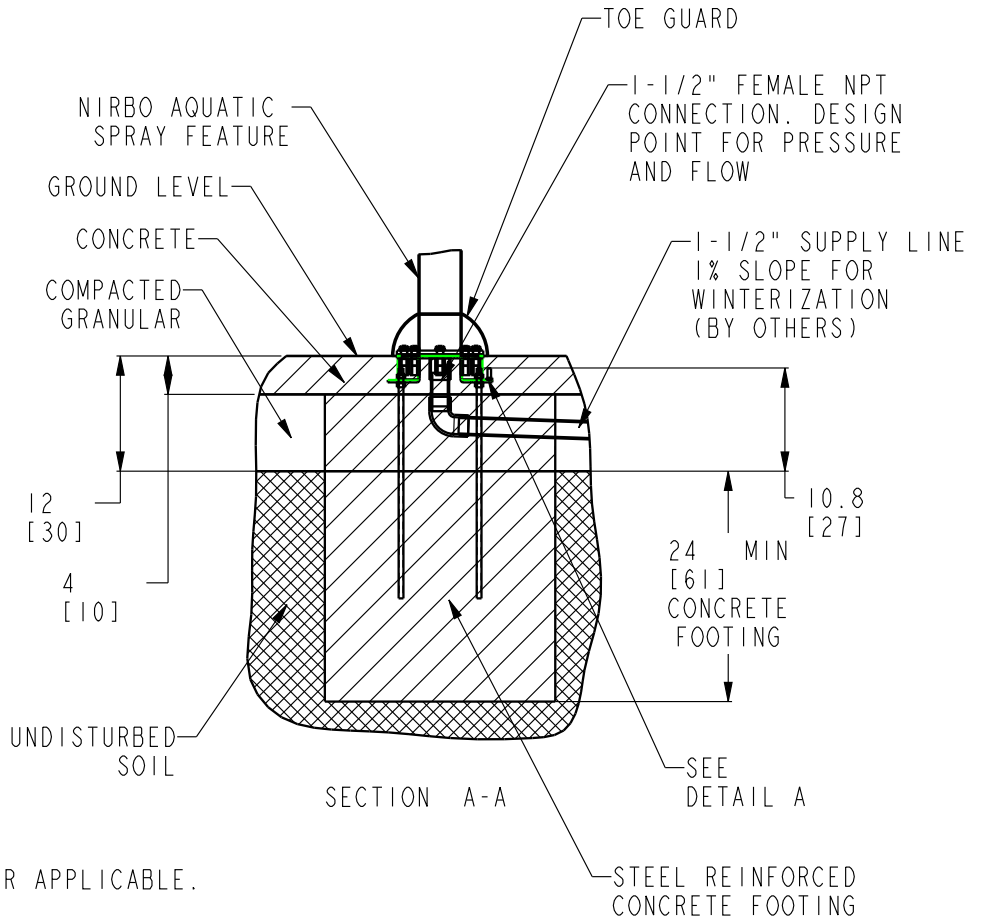
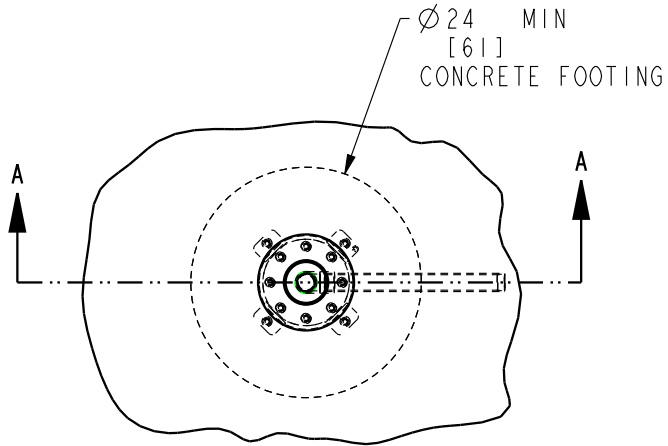
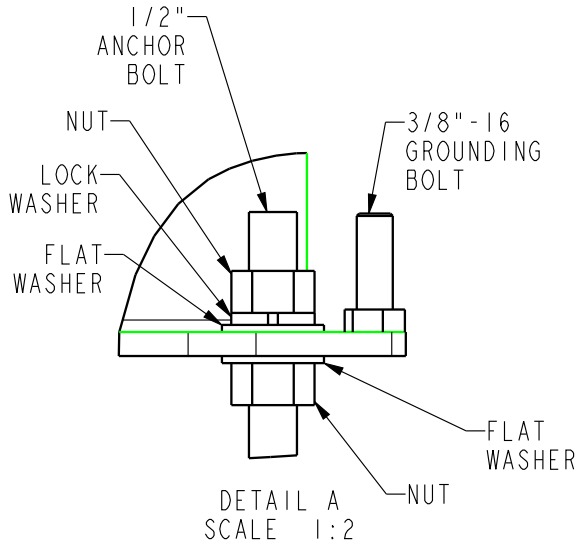
UNIT  
INCH  
[CM]

SHEET  
1/2

DRAWING NO  
03469-02-D15

REV  
A

Nirbo Aquatic Inc.  
 Tel: 1-905-766-4474, Fax: 1-905-766-4467, Web: www.nirbo.com



NOTES:

- 1- FOLLOW LOCAL CODES, WHEREVER APPLICABLE.
- 2- GRANULAR BASE THICKNESS SHALL MEET LOCAL BUILDING CODE REQUIREMENTS.
- 3- WATER SUPPLY LINE SHALL BE INSTALLED PER LOCAL BUILDING CODES.
- 4- HARDWARE SUPPLIED BY MANUFACTURER SHALL BE USED.

	<b>NIRBO                  AQUATIC INC.</b>	ALL INFORMATION CONTAINED IN THIS DOCUMENT IS PROPERTY OF NIRBO AQUATIC INC. AND MAY NOT BE REPRODUCED OR COMMUNICATED WITHOUT PERMISSION IN WRITING FROM NIRBO AQUATIC INC.	DATE (yyyy.mm.dd) 2013.10.21	SURFACE MOUNTED INSTALLATION, 3" & 4" PIPES		
		UNIT INCH [CM]	SHEET 1 / 1	DRAWING NO 03008-33	REV 01	