

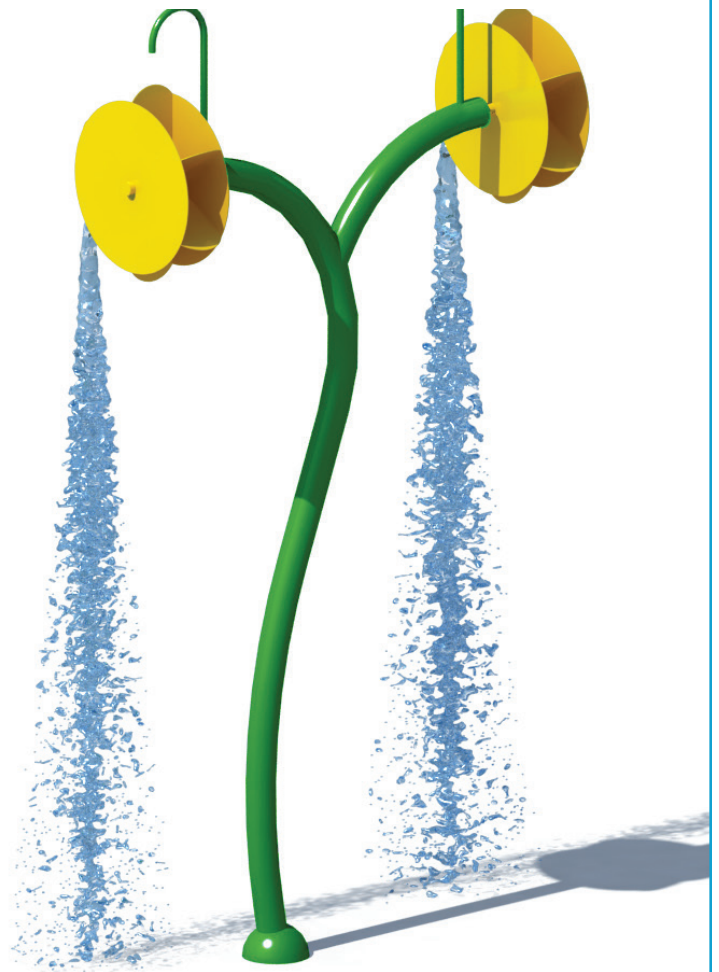


Nirbo water features are made from high quality stainless steel material, are very durable and have excellent fun factor. There are over one hundred different water features to choose from, this product is just a great example. We use brass or stainless steel nozzles which are ideal materials for the application.

Two Water Wheels | 03576

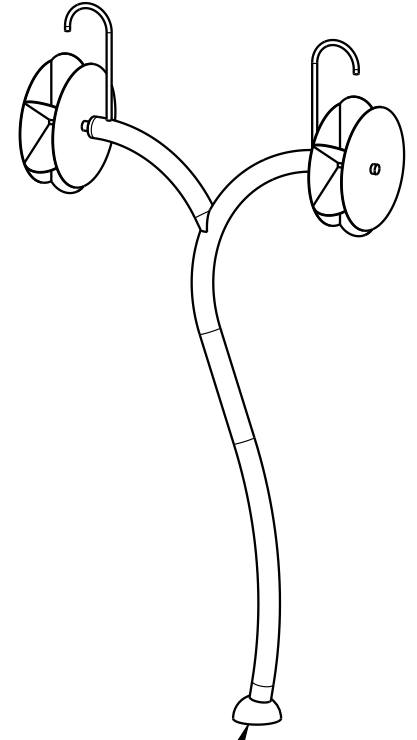
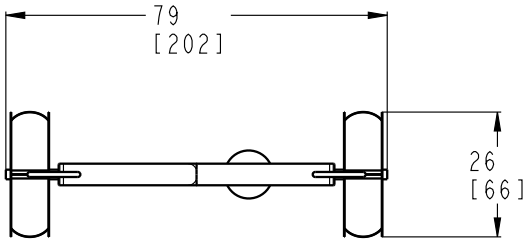
GPM	PSI	LPM	Bar
20	10	80	0.7

Width	Length	Height
26" (66 cm)	77" (197cm)	149" (378 cm)

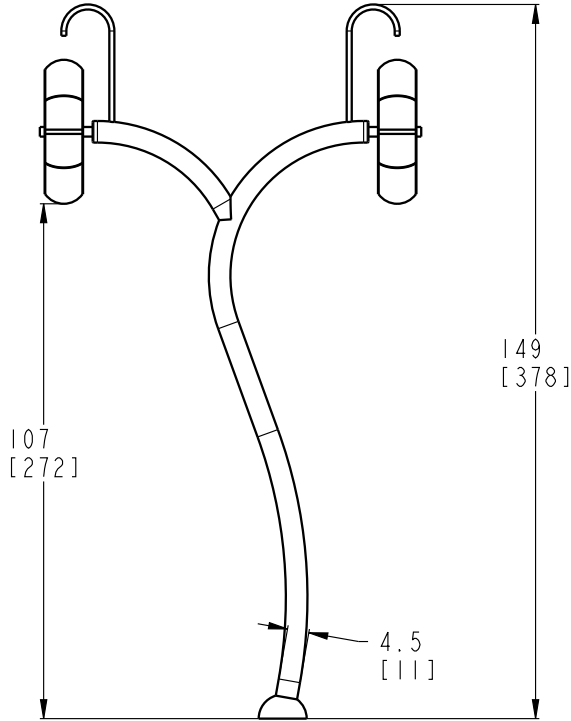


Nirbo Aquatic Inc.

2430 Lucknow Drive, unit 14, Mississauga, ON L5S 1V3, Canada
Toll Free: 1.888.68.NIRBO (64726) | Tel: 1.905.766.4474 | Fax: 1.905.766.4467
Website: www.nirbo.com | Email: info@nirbo.com

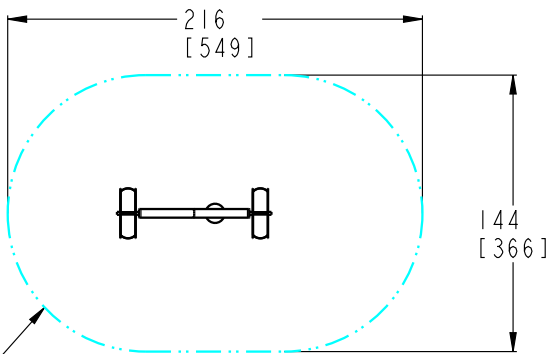


FOR FOOTING DETAILS SEE
DRAWING NO: 03008-33



FLOW (5-10 PSI)	LOW	NORMAL	HIGH
GPM-[LPM]	14[56]	20[80]	30[120]

- 1- STRUCTURE: TYPE 304 STAINLESS STEEL
NOZZLE: BRASS OR DELRIN WITH TAMPER RESISTANT FEATURES
FLOWER: FRP
- 2- FINISH: UV RESISTANT POLYESTER POWDER COATING
- 3- PRODUCT INCLUDES:
ANCHOR BOLTS WITH HARDWARE AND FOOTING TEMPLATE
SPRAY NOZZLES
WINTER NOZZLE CAPS
SERVICE TOOLS
TAMPER RESISTANT HARDWARE
- 4- GROUND COMPONENT WITH #6 BARE COPPER WIRE
- 5- PRODUCT COMPLIANCE:
MEETS ADA ACCESSIBILITY GUIDELINES
MEETS CURRENT ASTM F1487 SAFETY STANDARDS



SPRAY ZONE

SCALE 1:100

**NIRBO
AQUATIC INC.**

ALL INFORMATION CONTAINED
IN THIS DOCUMENT IS PROPERTY
OF NIRBO AQUATIC INC. AND
MAY NOT BE REPRODUCED OR
COMMUNICATED WITHOUT
PERMISSION IN WRITING FROM
NIRBO AQUATIC INC.

DATE
(yyyy.mm.dd)
2013.11.12

LIQUID FLOWER-04
SURFACE MOUNTED

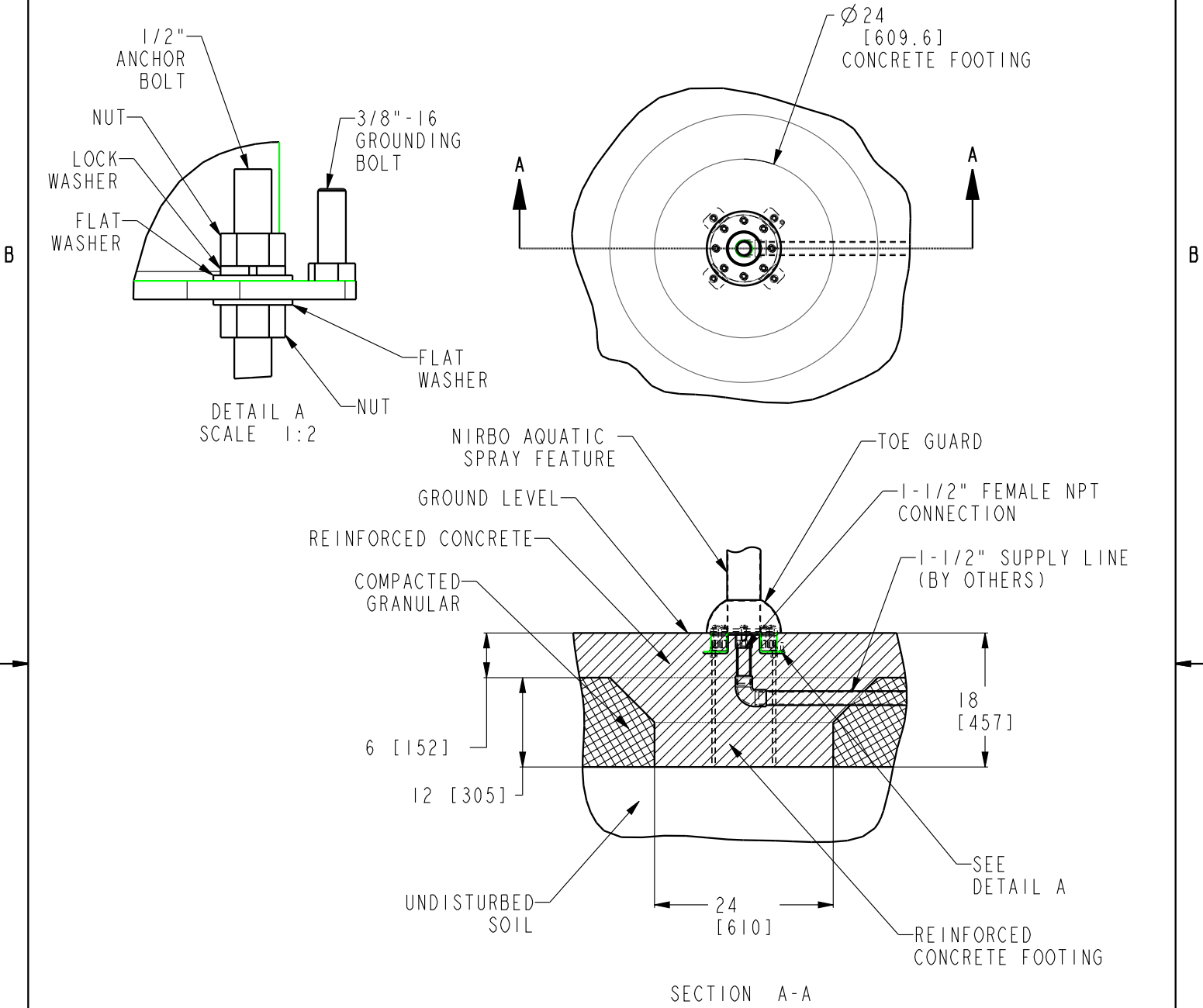
UNIT
INCH
[CM]

SHEET
1/2

DRAWING NO
03576-02-D15

REV
01

Nirbo Aquatic Inc.
Tel: 1-905-766-4474, Fax: 1-905-766-4467, Web: www.nirbo.com



NOTES:

- 1- FOLLOW LOCAL CODES, WHEREVER APPLICABLE.
- 2- GRANULAR BASE THICKNESS SHALL MEET LOCAL BUILDING CODE REQUIREMENTS.
- 3- WATER SUPPLY LINE SHALL BE INSTALLED PER LOCAL BUILDING CODES.
- 4- HARDWARE SUPPLIED BY MANUFACTURER SHALL BE USED.

NIRBO AQUATIC INC.	ALL INFORMATION CONTAINED IN THIS DOCUMENT IS PROPERTY OF NIRBO AQUATIC INC. AND MAY NOT BE REPRODUCED OR COMMUNICATED WITHOUT PERMISSION IN WRITING FROM NIRBO AQUATIC INC.	DATE (yyyy.mm.dd) 2018.10.24	SURFACE MOUNTED INSTALLATION, 3" & 4" PIPES		
		UNIT INCH [mm]	SHEET 1 / 1	DRAWING NO 03008-33	REV 01