

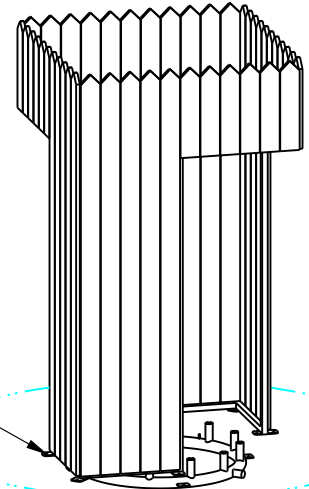
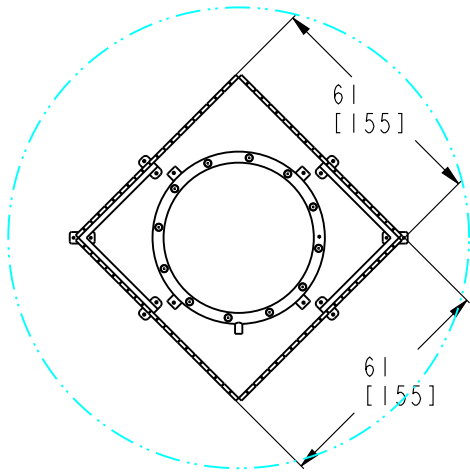
Nirbo water features are made from high quality stainless steel and engineering plastics materials, therefore they are very durable and have excellent fun factor. There are over one hundred different water features to choose from, this product is just a great example. We use brass or stainless steel nozzles which are ideal materials for the application.

Fort | 03586

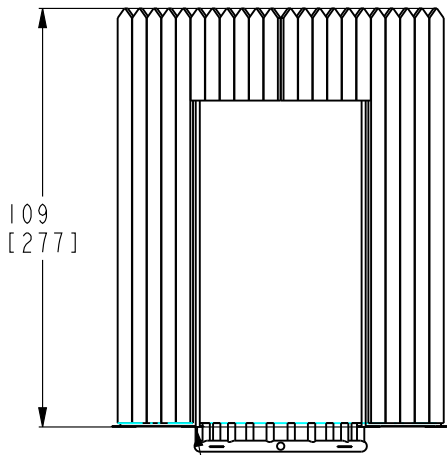
| GPM | Max PSI | LPM | Max Bar |
|--------------|-------------|--------------|---------|
| 36 | 10 | 144 | 0.7 |
| Width | Length | Height | |
| 61" (155 cm) | 61"(155 cm) | 109" (277cm) | |

Nirbo Aquatic Inc.

2400 Lucknow Drive, unit 39, Mississauga, ON L5S 1T9, Canada
Toll Free: 1.888.68.NIRBO (64726) | Tel: 1.905.766.4474 | Fax: 1.905.766.4467
Website: www.nirbo.com | Email: info@nirbo.com



USE 3/4" SS ANCHORS FOR SURFACE MOUNT (BY NIRBO) TYP, 12 LEGS



IMPORTANT:
 FINAL GRADE; SURFACE MUST BE FLAT 1/8" [0.3 CM] BETWEEN ALL LEGS

- 1- STRUCTURE FRAME: TYPE 304 STAINLESS STEEL
SIDE PANELS: PLASTIC
- 2- FINISH: UV RESISTANT POLYESTER POWDER COATING
- 3- PRODUCT INCLUDES:
ANCHOR BOLTS WITH HARDWARE AND FOOTING
TEMPLATE, NOZZLES, WINTER NOZZLE CAPS, SERVICE
TOOLS & TAMPER RESISTANT HARDWARE
- 4- GROUND COMPONENT WITH #6 BARE COPPER WIRE
- 5- PRODUCT COMPLIANCE:
MEETS ADA ACCESSIBILITY GUIDELINES
MEETS CURRENT ASTM F1487 SAFETY STANDARDS

**NIRBO
AQUATIC INC.**

ALL INFORMATION CONTAINED IN THIS DOCUMENT IS PROPERTY OF NIRBO AQUATIC INC. AND MAY NOT BE REPRODUCED OR COMMUNICATED WITHOUT PERMISSION IN WRITING FROM NIRBO AQUATIC INC.

DATE (yyyy.mm.dd)
2012.11.09

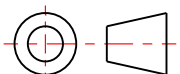
FORT

UNIT
FT-INCH
[CM]

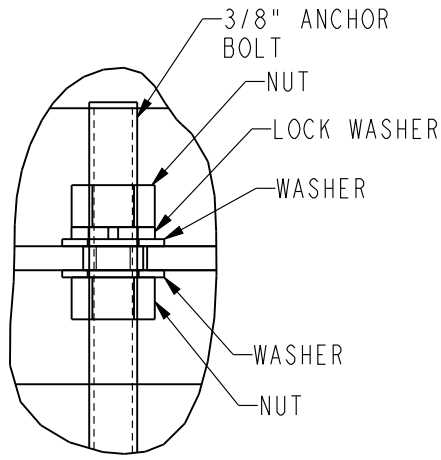
SHEET
1/2

DRAWING NO
03586-01-D15

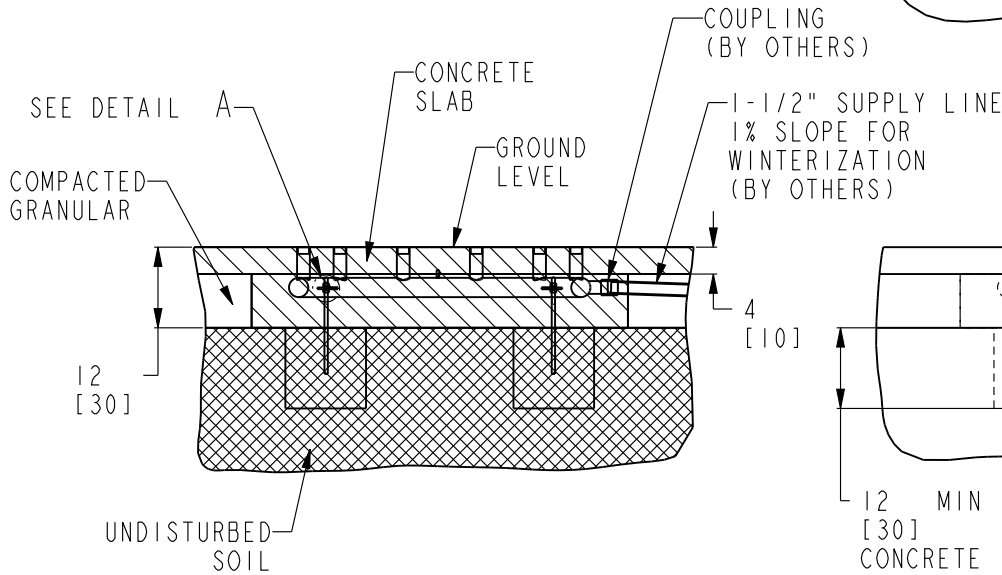
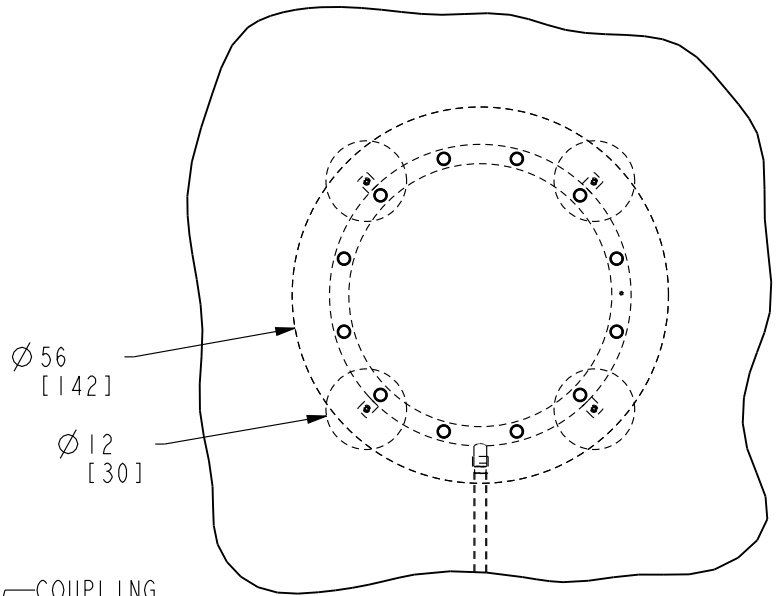
REV
01



Nirbo Aquatic Inc.
 Tel: 1-905-766-4474, Fax: 1-905-766-4467, Web: www.nirbo.com



DETAIL A
 SCALE 1:2



SECTION A-A

NOTES:

- 1- FOLLOW LOCAL CODES, WHEREVER APPLICABLE.
- 2- GRANULAR BASE THICKNESS SHALL MEET LOCAL BUILDING CODE REQUIREMENTS.
- 3- WATER SUPPLY LINE SHALL BE INSTALLED PER LOCAL BUILDING CODES.
- 4- HARDWARE SUPPLIED BY MANUFACTURER SHALL BE USED.

| | | | | | | |
|--|--|----------------------|------------------------------------|------------------------|-----------|--|
| NIRBO AQUATIC INC. | ALL INFORMATION CONTAINED IN THIS DOCUMENT IS PROPERTY OF NIRBO AQUATIC INC. AND MAY NOT BE REPRODUCED OR COMMUNICATED WITHOUT PERMISSION IN WRITING FROM NIRBO AQUATIC INC. | | DATE (yyyy.mm.dd) 2013.10.21 | INSTALLATION | | |
| | | UNIT INCH [CM] | SHEET 1 / 1 | DRAWING NO 03008-07 | REV 03 | |