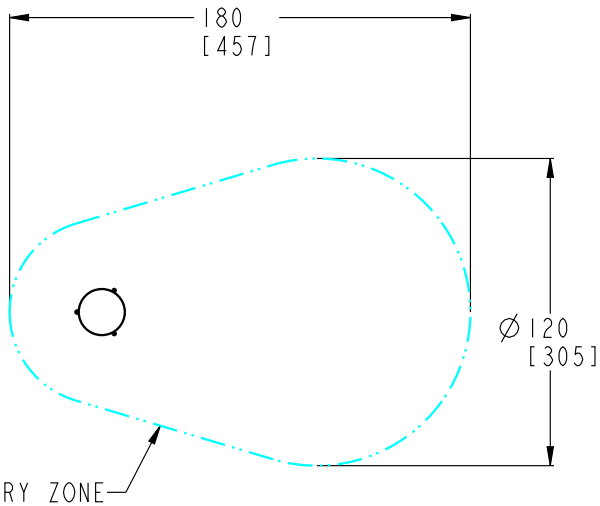


FLOW (5-10 PSI)	LOW	NORMAL	HIGH
GPM-[LPM]	20[28]	30[40]	45[60]



- 1- STRUCTURE: FRP
NOZZLE: BRASS OR STAINLESS WITH TEMPER RESISTANT FEATURES
- 2- FINISH: GEL COATING
- 3- PRODUCT INCLUDES:
ANCHOR BOLTS WITH HARDWARE AND FOOTING TEMPLATE
SPRAY NOZZLES
WINTER NOZZLE CAPS
SERVICE TOOLS
TAMPER RESISTANT HARDWARE
- 4- GROUND COMPONENT WITH #6 BARE COPPER WIRE
- 5- PRODUCT COMPLIANCE:
MEETS ADA ACCESSIBILITY GUIDELINES
MEETS CURRENT ASTM F1487 SAFETY STANDARDS

**NIRBO
AQUATIC INC.**

ALL INFORMATION CONTAINED
IN THIS DOCUMENT IS PROPERTY
OF NIRBO AQUATIC INC. AND
MAY NOT BE REPRODUCED OR
COMMUNICATED WITHOUT
PERMISSION IN WRITING FROM
NIRBO AQUATIC INC.

DATE
(yyyy.mm.dd)
2013.01.31

RAIN DOME

UNIT
FT-INCH
[CM]

SHEET
1 / 1

DRAWING NO
03587-01-D15

REV
01