

Nirbo water features are made from high quality stainless steel and engineering plastics materials, therefore they are very durable and have excellent fun factor. There are over one hundred different water features to choose from, this product is just a great example. We use brass or stainless steel nozzles which are ideal materials for the application.

Windmill | 03596

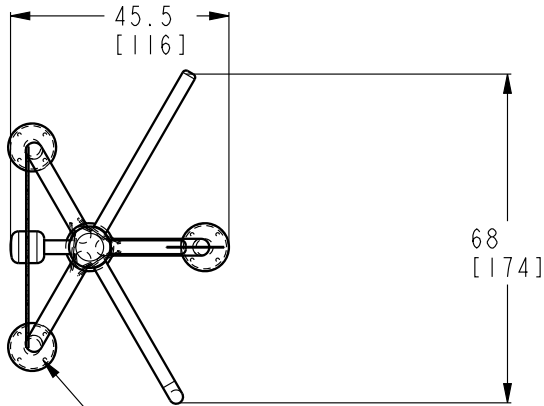
GPM	Max PSI	LPM	Max Bar
30	10	120	0.7
Width	Length	Height	
46" (116 cm)	68" (174 cm)	128" (326 cm)	

Nirbo Aquatic Inc.

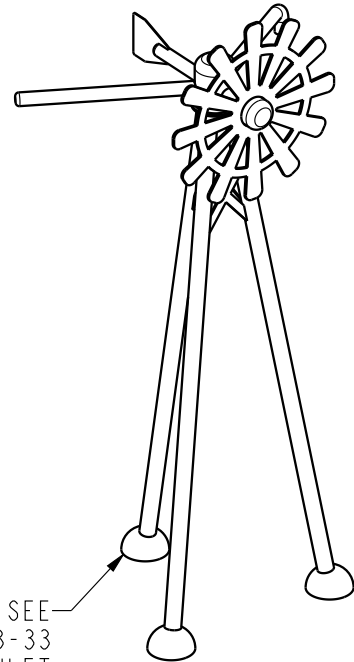
2400 Lucknow Drive, unit 39, Mississauga, ON L5S 1T9, Canada
Toll Free: 1.888.68.NIRBO (64726) | Tel: 1.905.766.4474 | Fax: 1.905.766.4467
Website: www.nirbo.com | Email: info@nirbo.com

2

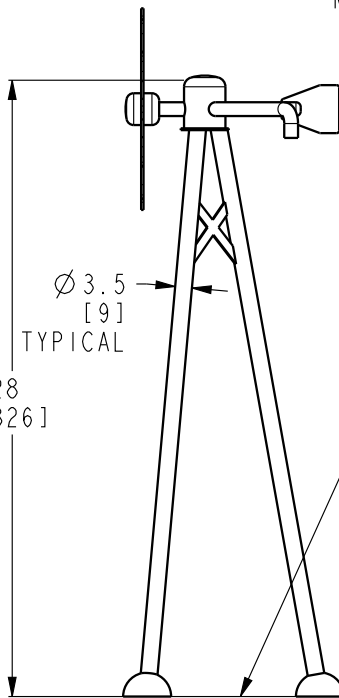
1



USE 1/2" SS DROP-IN ANCHORS FOR SURFACE MOUNT (BY NIRBO), TYP 2 PLACES



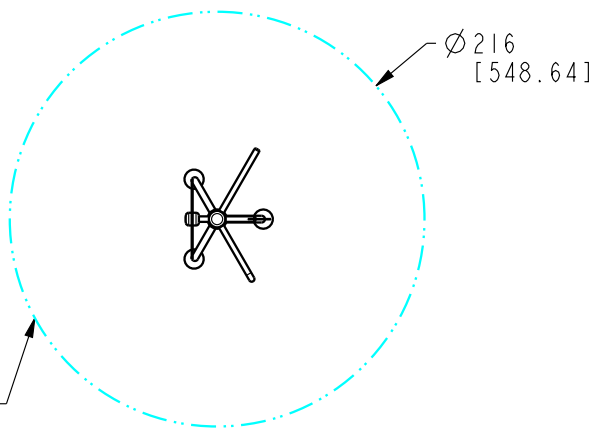
FOR FOOTING DETAILS SEE DRAWING NO: 03008-33 THIS LEG ONLY WATER INLET



IMPORTANT:
FINAL GRADE; SURFACE MUST BE FLAT 1/8" [0.3 CM] BETWEEN TWO LEGS

FLOW (5-10 PSI)	LOW	NORMAL	HIGH
GPM-[LPM]	20[80]	30[120]	45[180]

- 1- STRUCTURE: TYPE 304 STAINLESS STEEL
NOZZLE: ENGINEERING POLYMER
TOWER: FRP
- 2- FINISH: UV RESISTANT POLYESTER POWDER COATING
- 3- PRODUCT INCLUDES:
ANCHOR BOLTS WITH HARDWARE AND FOOTING TEMPLATE
SPRAY NOZZLES
WINTER NOZZLE CAPS
SERVICE TOOLS
TAMPER RESISTANT HARDWARE
- 4- GROUND COMPONENT WITH #6 BARE COPPER WIRE
- 5- PRODUCT COMPLIANCE:
MEETS ADA ACCESSIBILITY GUIDELINES
MEETS CURRENT ASTM F1487 SAFETY STANDARDS



SPRAY ZONE

SCALE 1:100

NIRBO AQUATIC INC.

ALL INFORMATION CONTAINED IN THIS DOCUMENT IS PROPERTY OF NIRBO AQUATIC INC. AND MAY NOT BE REPRODUCED OR COMMUNICATED WITHOUT PERMISSION IN WRITING FROM NIRBO AQUATIC INC.

DATE (yyyy.mm.dd)
2013.11.27

WINDMILL,
SURFACE MOUNTED

UNIT
INCH
[CM]

SHEET
1/2

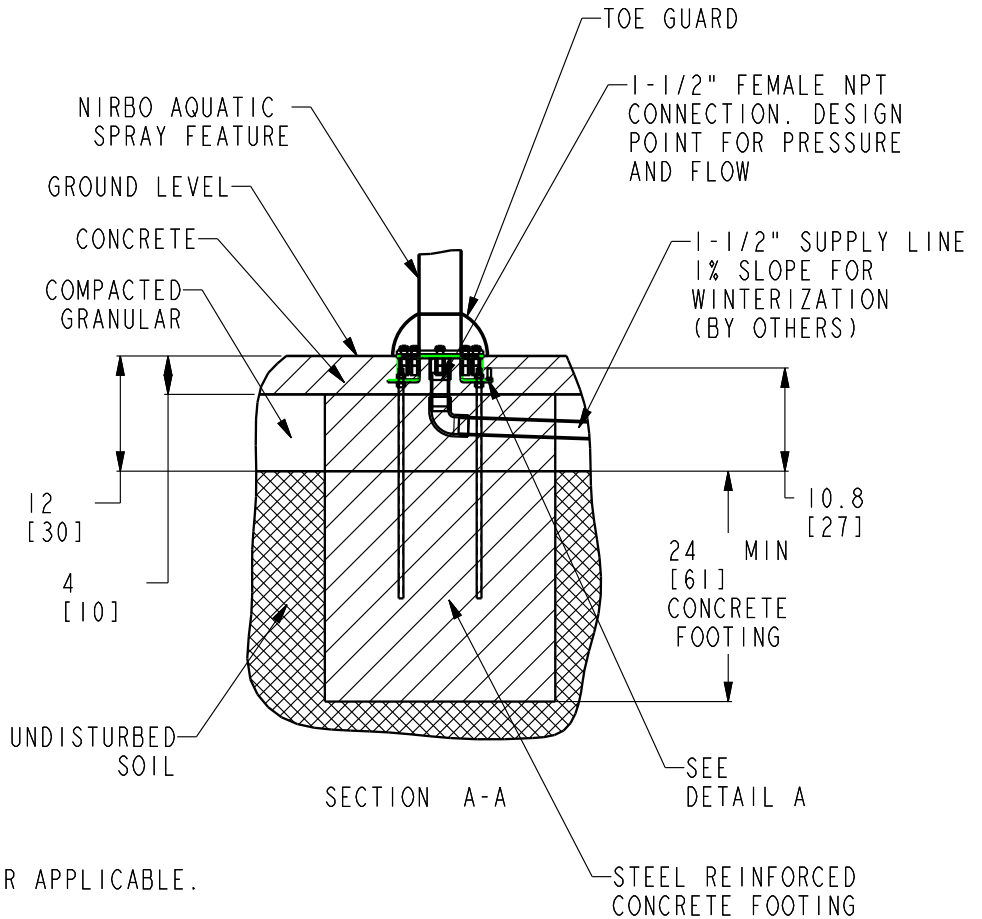
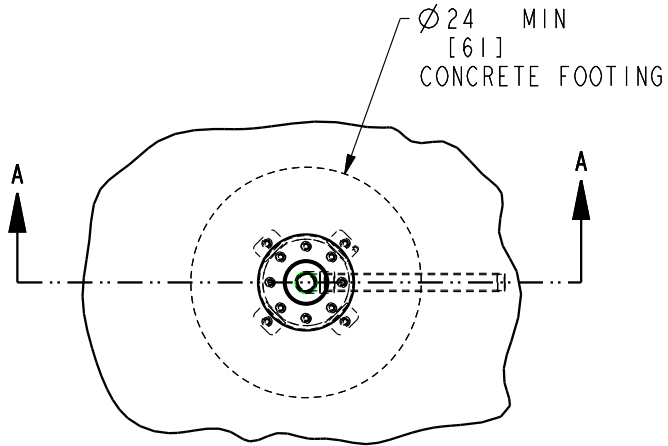
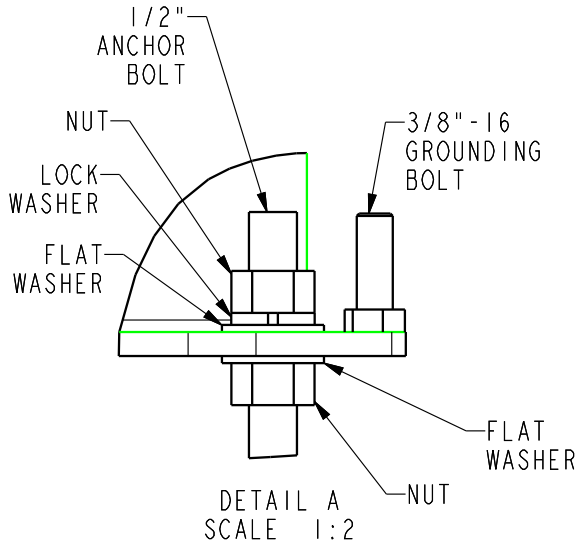
DRAWING NO
03596-02-D15

REV
01

2

1

Nirbo Aquatic Inc.
Tel: 1-905-766-4474, Fax: 1-905-766-4467, Web: www.nirbo.com



NOTES:

- 1- FOLLOW LOCAL CODES, WHEREVER APPLICABLE.
- 2- GRANULAR BASE THICKNESS SHALL MEET LOCAL BUILDING CODE REQUIREMENTS.
- 3- WATER SUPPLY LINE SHALL BE INSTALLED PER LOCAL BUILDING CODES.
- 4- HARDWARE SUPPLIED BY MANUFACTURER SHALL BE USED.

NIRBO AQUATIC INC.	ALL INFORMATION CONTAINED IN THIS DOCUMENT IS PROPERTY OF NIRBO AQUATIC INC. AND MAY NOT BE REPRODUCED OR COMMUNICATED WITHOUT PERMISSION IN WRITING FROM NIRBO AQUATIC INC.	DATE (yyyy.mm.dd) 2013.10.21	SURFACE MOUNTED INSTALLATION, 3" & 4" PIPES	
		UNIT INCH [CM]	SHEET 1 / 1	DRAWING NO 03008-33
			REV 01	