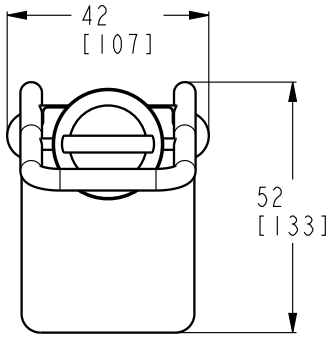


Nirbo water features are made from high quality stainless steel and engineering plastics materials, therefore they are very durable and have excellent fun factor. There are over one hundred different water features to choose from, this product is just a great example. We use brass or stainless steel nozzles which are ideal materials for the application.

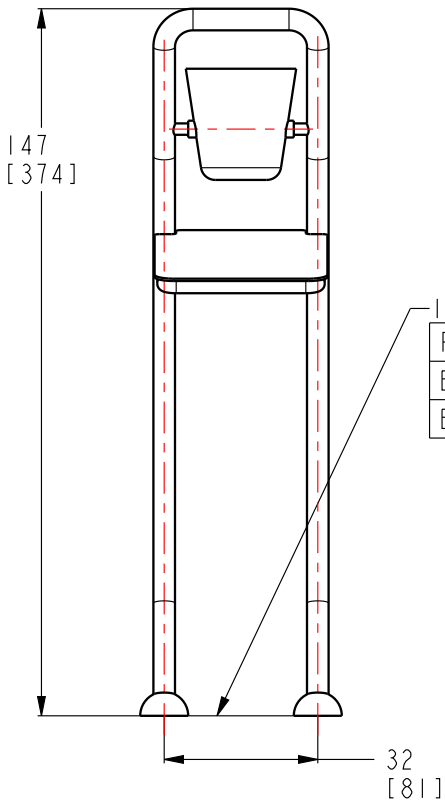
Mini Bucket | 03602

GPM	Max PSI	LPM	Max Bar
15	10	60	0.7
Width	Length	Height	
42" (107 cm)	52"(133 cm)	147" (374 cm)	

Nirbo Aquatic Inc.
2400 Lucknow Drive, unit 39, Mississauga, ON L5S 1T9, Canada
Toll Free: 1.888.68.NIRBO (64726) | Tel: 1.905.766.4474 | Fax:
1.905.766.4467
Website: www.nirbo.com | Email: info@nirbo.com



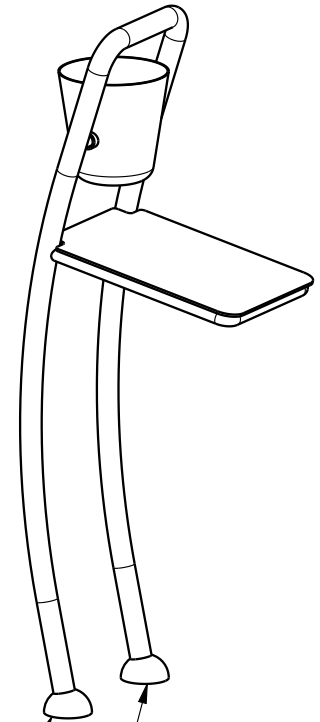
B



IMPORTANT:
 FINAL GRADE; SURFACE MUST
 BE FLAT 1/8" [0.3 CM]
 BETWEEN FOUR LEGS

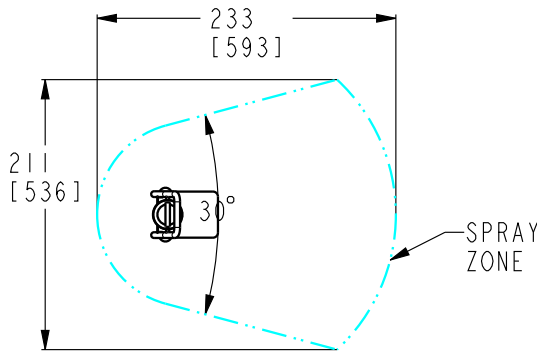
FOR FOOTING DETAILS SEE
 DRAWING NO: 03008-33
 WATER INLET THIS LEG ONLY

USE 1/2" SS ANCHORS
 (BY NIRBO), FOR SURFACE
 MOUNT. TYP 3 LEGS,
 4 ANCHORS PER LEG



B

A



SCALE 1:150

FLOW (5-10 PSI)	LOW	NOMINAL	HIGH
GPM-[LPM]	10[40]	15 [160]	20[80]

- 1- STRUCTURE: TYPE 304 STAINLESS STEEL
 NOZZLE: STAINLESS STEEL
 BEARINGS: TEFLON
 BUCKET: FRP
- 2- FINISH: UV RESISTANT POLYESTER POWDER COATING
- 3- PRODUCT INCLUDES:
 ANCHOR BOLTS WITH HARDWARE AND FOOTING
 TEMPLATE, NOZZLES, WINTER NOZZLE CAPS, SERVICE
 TOOLS & TAMPER RESISTANT HARDWARE
- 4- GROUND COMPONENT WITH #6 BARE COPPER WIRE
- 5- PRODUCT COMPLIANCE:
 MEETS ADA ACCESSIBILITY GUIDELINES
 MEETS CURRENT ASTM F1487 SAFETY STANDARDS

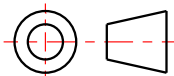
A

**NIRBO
 AQUATIC INC.**

ALL INFORMATION CONTAINED
 IN THIS DOCUMENT IS PROPERTY
 OF NIRBO AQUATIC INC. AND
 MAY NOT BE REPRODUCED OR
 COMMUNICATED WITHOUT
 PERMISSION IN WRITING FROM
 NIRBO AQUATIC INC.

DATE
 (yyyy.mm.dd)
 2013.11.14

MINI BUCKET
 SURFACE MOUNTED



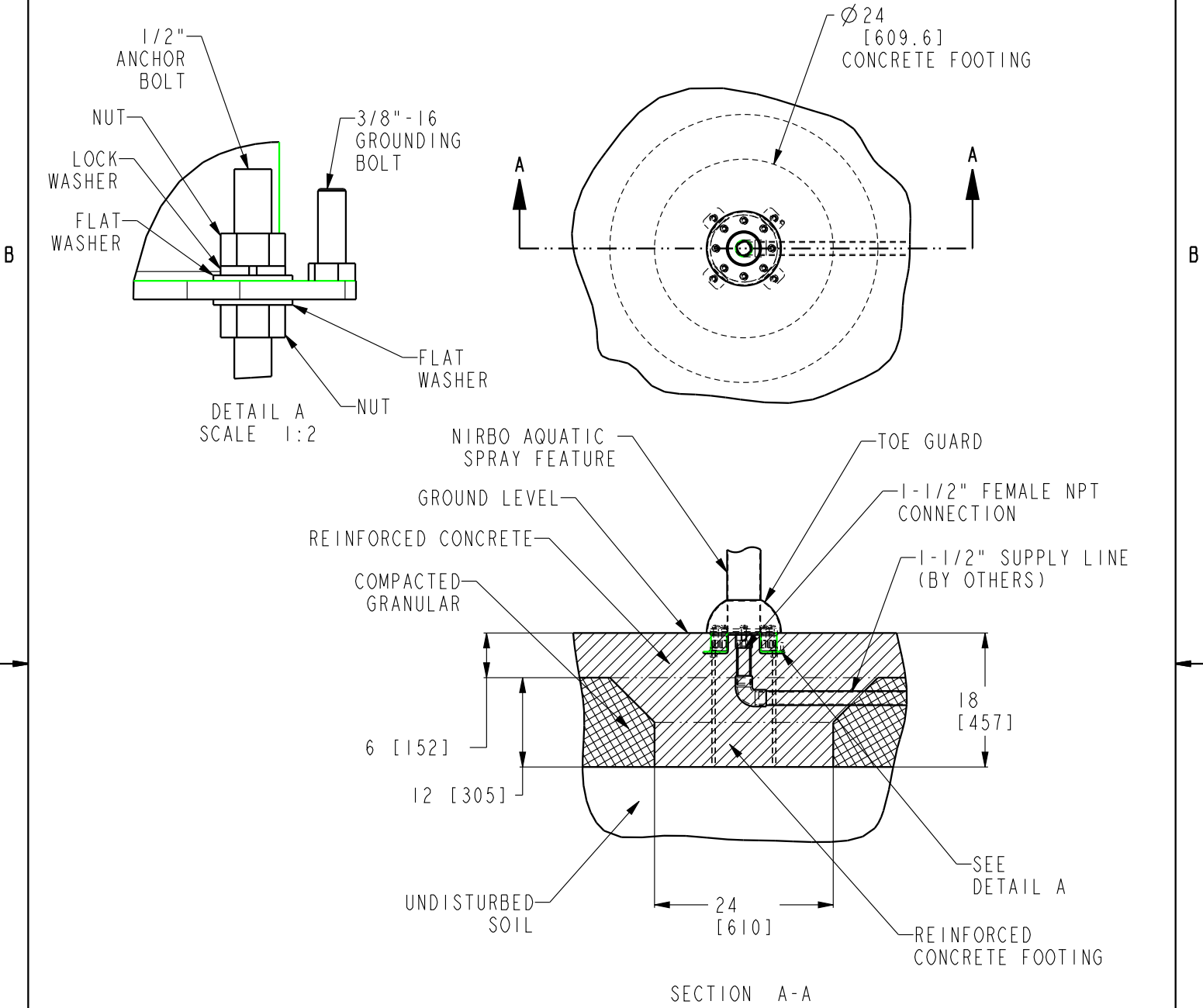
UNIT
 INCH
 [CM]

SHEET
 1/2

DRAWING NO
 03602-02-D15

REV
 01

Nirbo Aquatic Inc.
 Tel: 1-905-766-4474, Fax: 1-905-766-4467, Web: www.nirbo.com



NOTES:

- 1- FOLLOW LOCAL CODES, WHEREVER APPLICABLE.
- 2- GRANULAR BASE THICKNESS SHALL MEET LOCAL BUILDING CODE REQUIREMENTS.
- 3- WATER SUPPLY LINE SHALL BE INSTALLED PER LOCAL BUILDING CODES.
- 4- HARDWARE SUPPLIED BY MANUFACTURER SHALL BE USED.

	NIRBO AQUATIC INC.	ALL INFORMATION CONTAINED IN THIS DOCUMENT IS PROPERTY OF NIRBO AQUATIC INC. AND MAY NOT BE REPRODUCED OR COMMUNICATED WITHOUT PERMISSION IN WRITING FROM NIRBO AQUATIC INC.		DATE (yyyy.mm.dd) 2018.10.24	SURFACE MOUNTED INSTALLATION, 3" & 4" PIPES		
	UNIT INCH [mm]	SHEET 1 / 1	DRAWING NO 03008-33	REV 01			