

Nirbo water features are made from high quality stainless steel and engineering plastics materials, therefore they are very durable and have excellent fun factor. There are over one hundred different water features to choose from, this product is just a great example. We use brass or stainless steel nozzles which are ideal materials for the application.

Vortex | 03635

GPM	Max PSI	LPM	Max Bar
30	10	120	0.7

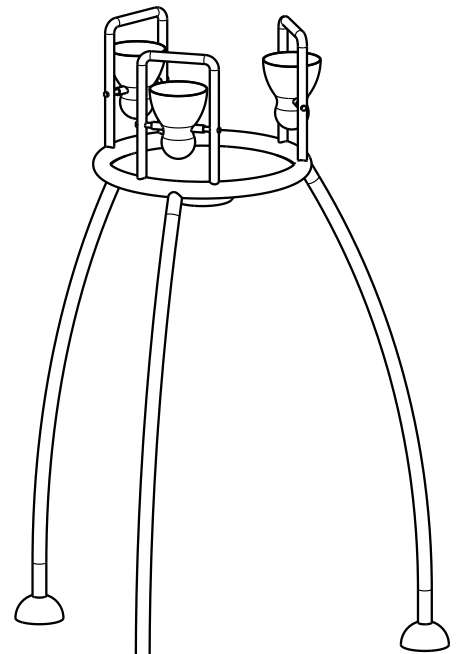
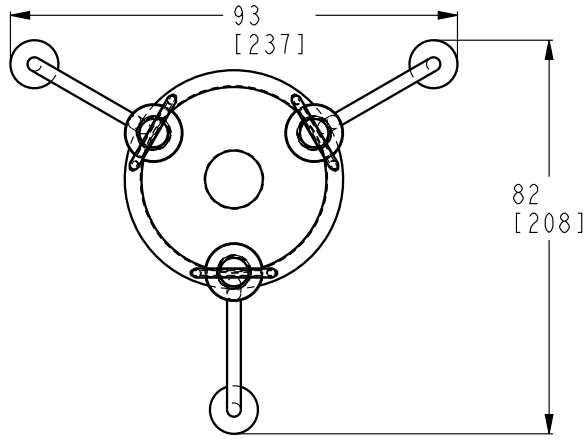
Width	Length	Height
82" (208 cm)	93"(237 cm)	136" (345 cm)

Nirbo Aquatic Inc.

2400 Lucknow Drive, unit 39, Mississauga, ON L5S 1T9, Canada
Toll Free: 1.888.68.NIRBO (64726) | Tel: 1.905.766.4474 | Fax: 1.905.766.4467
Website: www.nirbo.com | Email: info@nirbo.com

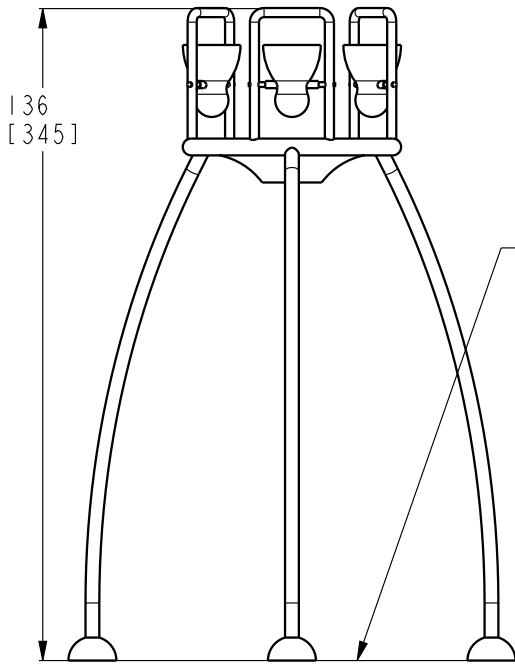
2

1



B

B



IMPORTANT:
 FINAL GRADE; SURFACE MUST
 BE FLAT 1/8" [0.3 CM]
 BETWEEN TWO LEGS

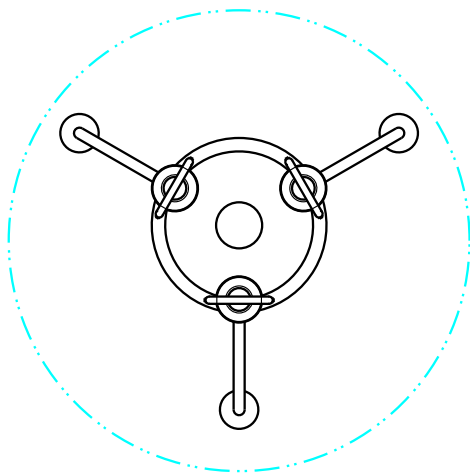
FOR FOOTING DETAILS SEE
 DRAWING NO: 03008-33
 THIS LEG ONLY WATER INLET

FLOW RATE AT 5 PSI	LOW	NORMAL	HIGH
GPM-[LPM]	20[80]	30[120]	45[180]

- 1- STRUCTURE: TYPE 304 STAINLESS STEEL
 NOZZLE: BRASS WITH TEMPER RESISTANT FEATURES
 BUCKETS:FRP
- 2- FINISH: UV RESISTANT POLYESTER POWDER COATING
- 3- PRODUCT INCLUDES:
 ANCHOR BOLTS WITH HARDWARE AND FOOTING TEMPLATE
 SPRAY NOZZLES
 WINTER NOZZLE CAPS
 SERVICE TOOLS
 TAMPER RESISTANT HARDWARE
- 4- GROUND COMPONENT WITH #6 BARE COPPER WIRE
- 5- PRODUCT COMPLIANCE:
 MEETS ADA ACCESSIBILITY GUIDELINES
 MEETS CURRENT ASTM F1487 SAFETY STANDARDS

A

A



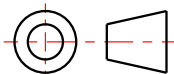
SCALE 1:50

**NIRBO
AQUATIC INC.**

ALL INFORMATION CONTAINED
 IN THIS DOCUMENT IS PROPERTY
 OF NIRBO AQUATIC INC. AND
 MAY NOT BE REPRODUCED OR
 COMMUNICATED WITHOUT
 PERMISSION IN WRITING FROM
 NIRBO AQUATIC INC.

DATE
 (yyyy.mm.dd)
 2017.03.08

VORTEX
 SURFACE MOUNTED



UNIT
 INCH
 [CM]

SHEET
 1/2

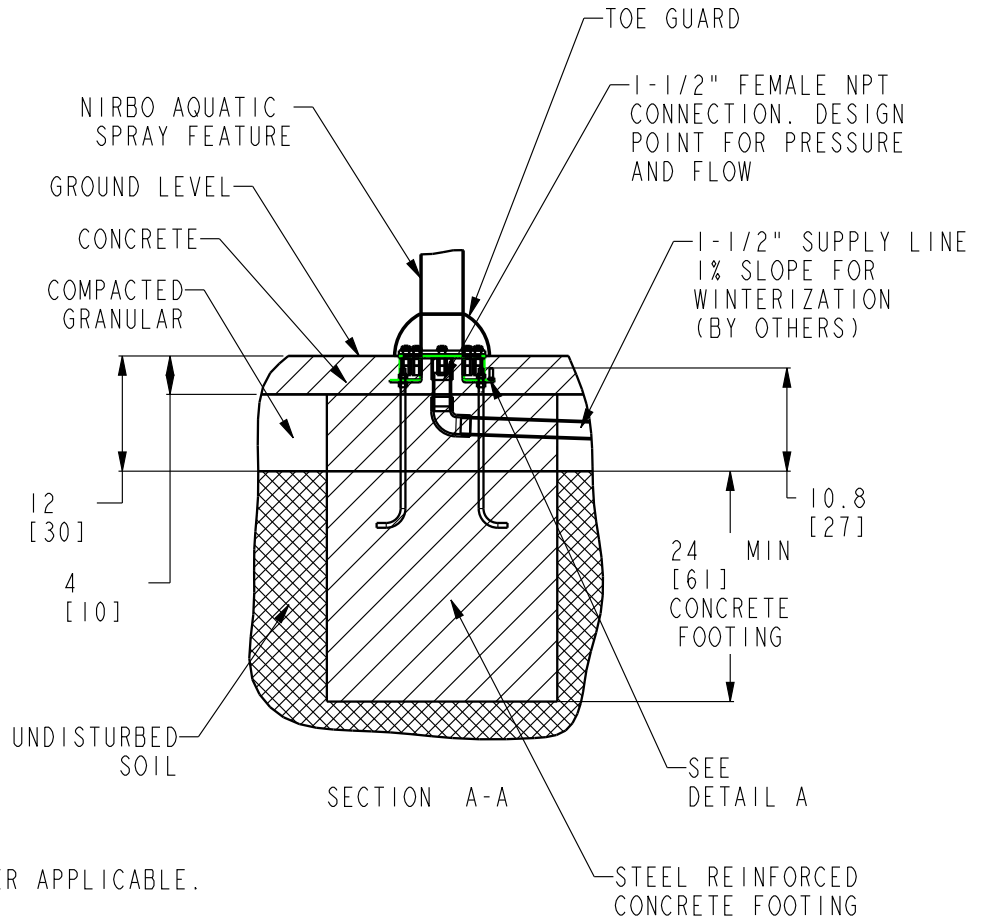
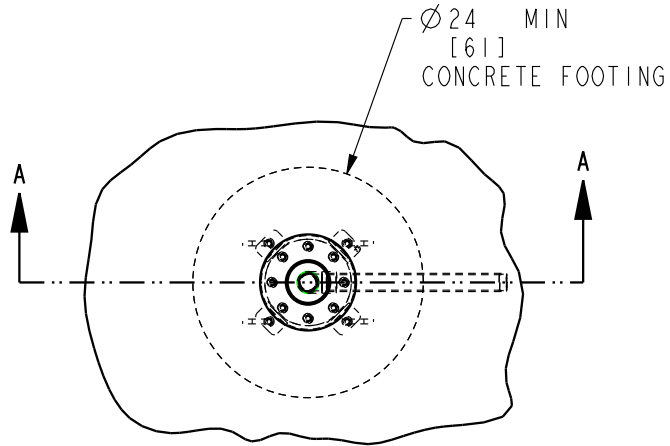
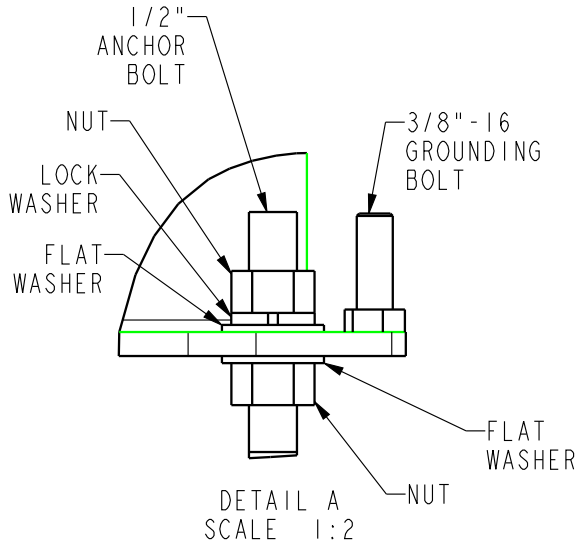
DRAWING NO
 03635-02-D15

REV
 A

2

1

Nirbo Aquatic Inc.
Tel: 1-905-766-4474, Fax: 1-905-766-4467, Web: www.nirbo.com



NOTES:

- 1- FOLLOW LOCAL CODES, WHEREVER APPLICABLE.
- 2- GRANULAR BASE THICKNESS SHALL MEET LOCAL BUILDING CODE REQUIREMENTS.
- 3- WATER SUPPLY LINE SHALL BE INSTALLED PER LOCAL BUILDING CODES.
- 4- HARDWARE SUPPLIED BY MANUFACTURER SHALL BE USED.

NIRBO AQUATIC INC.	ALL INFORMATION CONTAINED IN THIS DOCUMENT IS PROPERTY OF NIRBO AQUATIC INC. AND MAY NOT BE REPRODUCED OR COMMUNICATED WITHOUT PERMISSION IN WRITING FROM NIRBO AQUATIC INC.	DATE (yyyy.mm.dd) 2013.10.21	SURFACE MOUNTED INSTALLATION, 3" & 4" PIPES		
		UNIT INCH [CM]	SHEET 1 / 1	DRAWING NO 03008-33	REV 01