

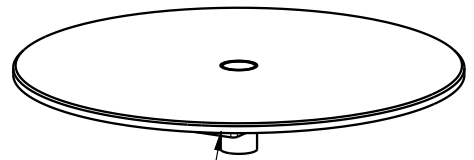
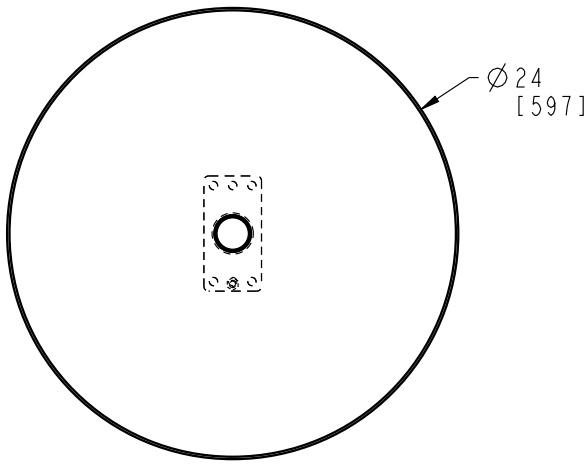
Nirbo water features are made from high quality stainless steel and engineering plastics materials, therefore they are very durable and have excellent fun factor. There are over one hundred different water features to choose from, this product is just a great example. We use brass or stainless steel nozzles which are ideal materials for the application.

### **Ladybug Pad** | 03732-06

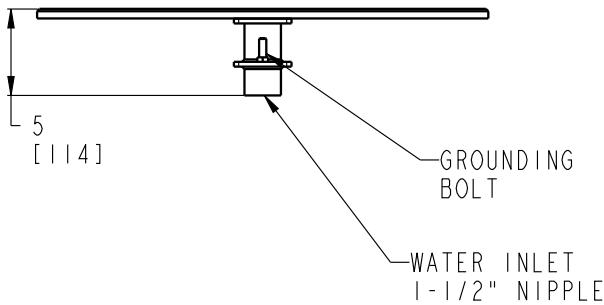
GPM	Max PSI	LPM	Max Bar
8	10	32	0.7
Width	Length	Height	
24" (60 cm)	24" (60 cm)	5" (11 cm)	

### **Nirbo Aquatic Inc.**

2400 Lucknow Drive, unit 39, Mississauga, ON L5S 1T9, Canada  
Toll Free: 1.888.68.NIRBO (64726) | Tel: 1.905.766.4474 | Fax: 1.905.766.4467  
Website: [www.nirbo.com](http://www.nirbo.com) | Email: [info@nirbo.com](mailto:info@nirbo.com)



FOR FOOTING DETAILS SEE  
DRAWING NO: 03008-24



FLOW (5-10 PSI)	LOW	NORMAL
GPM	5	8

- 1- STRUCTURE: TYPE 304 STAINLESS STEEL  
COVER: ENGINEERING POLYMER  
NOZZLE: BRASS WITH TAMPER RESISTANT FEATURES
- 2- FINISH: NO COATING
- 3- PRODUCT INCLUDES:  
ANCHOR BOLTS WITH HARDWARE AND FOOTING  
TEMPLATE, NOZZLES, WINTER NOZZLE CAPS, SERVICE  
TOOLS & TAMPER RESISTANT HARDWARE
- 4- GROUND COMPONENT WITH #6 BARE COPPER WIRE
- 5- PRODUCT COMPLIANCE:  
MEETS ADA ACCESSIBILITY GUIDELINES  
MEETS CURRENT ASTM F1487 SAFETY STANDARDS

SPRAY ZONE →

SCALE 1:50

**NIRBO  
AQUATIC INC.**

ALL INFORMATION CONTAINED  
IN THIS DOCUMENT IS PROPERTY  
OF NIRBO AQUATIC INC. AND  
MAY NOT BE REPRODUCED OR  
COMMUNICATED WITHOUT  
PERMISSION IN WRITING FROM  
NIRBO AQUATIC INC.

DATE  
(yyyy.mm.dd)  
2019.12.23

LADYBUG PAD

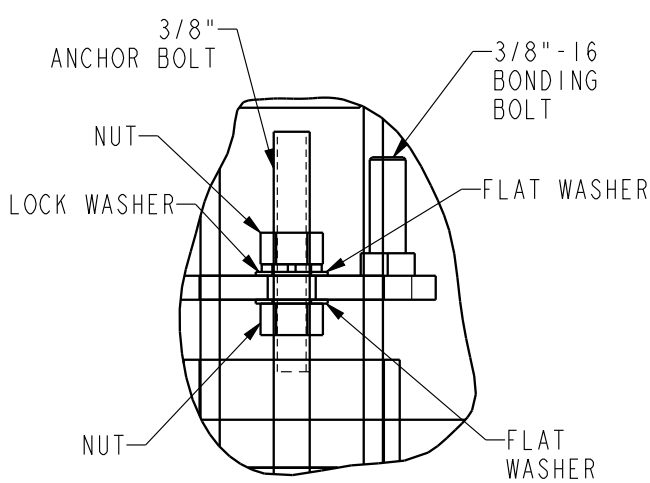
UNIT  
INCH  
[mm]

SHEET  
1 / 2

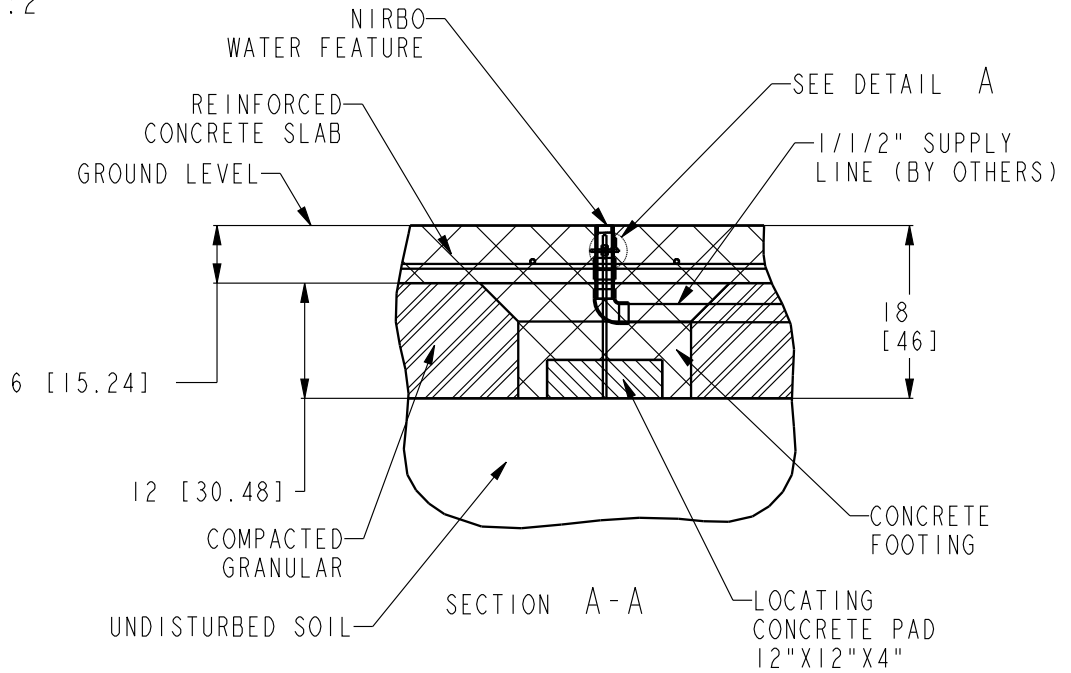
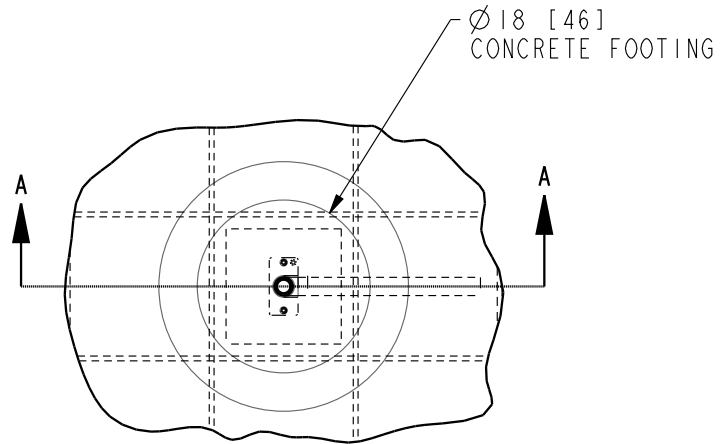
DRAWING NO  
03732-06-D15

REV  
01

Nirbo Aquatic Inc.  
Tel: 1-905-766-4474, Fax: 1-905-766-4467, Web: www.nirbo.com



DETAIL A  
SCALE 1:2



NOTES:

- 1- FOLLOW LOCAL CODES, WHEREVER APPLICABLE.
- 2- GRANULAR BASE THICKNESS SHALL MEET LOCAL BUILDING CODE REQUIREMENTS.
- 3- WATER SUPPLY LINE SHALL BE INSTALLED PER LOCAL BUILDING CODES.
- 4- HARDWARE SUPPLIED BY MANUFACTURER SHALL BE USED.

<b>NIRBO AQUATIC INC.</b>	ALL INFORMATION CONTAINED IN THIS DOCUMENT IS PROPERTY OF NIRBO AQUATIC INC. AND MAY NOT BE REPRODUCED OR COMMUNICATED WITHOUT PERMISSION IN WRITING FROM NIRBO AQUATIC INC.	DATE (yyyy.mm.dd) 2013.10.21	INSTALLATION, GROUND FEATURE		
		UNIT INCH [CM]	SHEET 1 / 1	DRAWING NO 03008-24	REV 01