

**Multi Play-04** | 19466-04-01

GPM	PSI	LPM	Bar
180	10	720	0.7

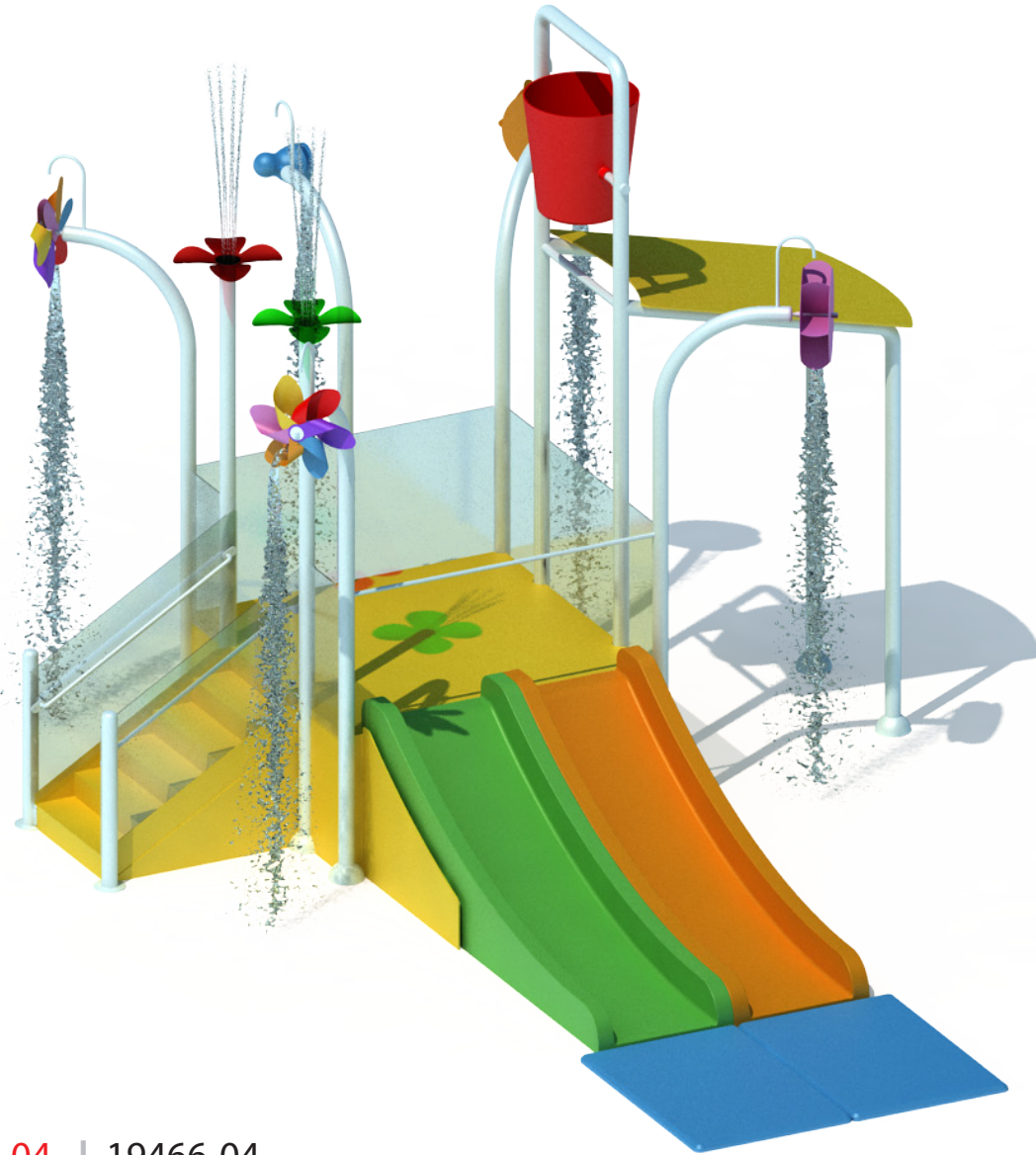
Width	Length	Height
250" (635 cm)	356" (904 cm)	215" (546 cm)

**Nirbo Aquatic Inc.**

2430 Lucknow Drive, unit 14, Mississauga, ON L5S 1V3, Canada

Toll Free: 1.888.68.NIRBO (64726) | Tel: 1.905.766.4474 | Fax: 1.905.766.4467

Website: [www.nirbo.com](http://www.nirbo.com) | Email: [info@nirbo.com](mailto:info@nirbo.com)



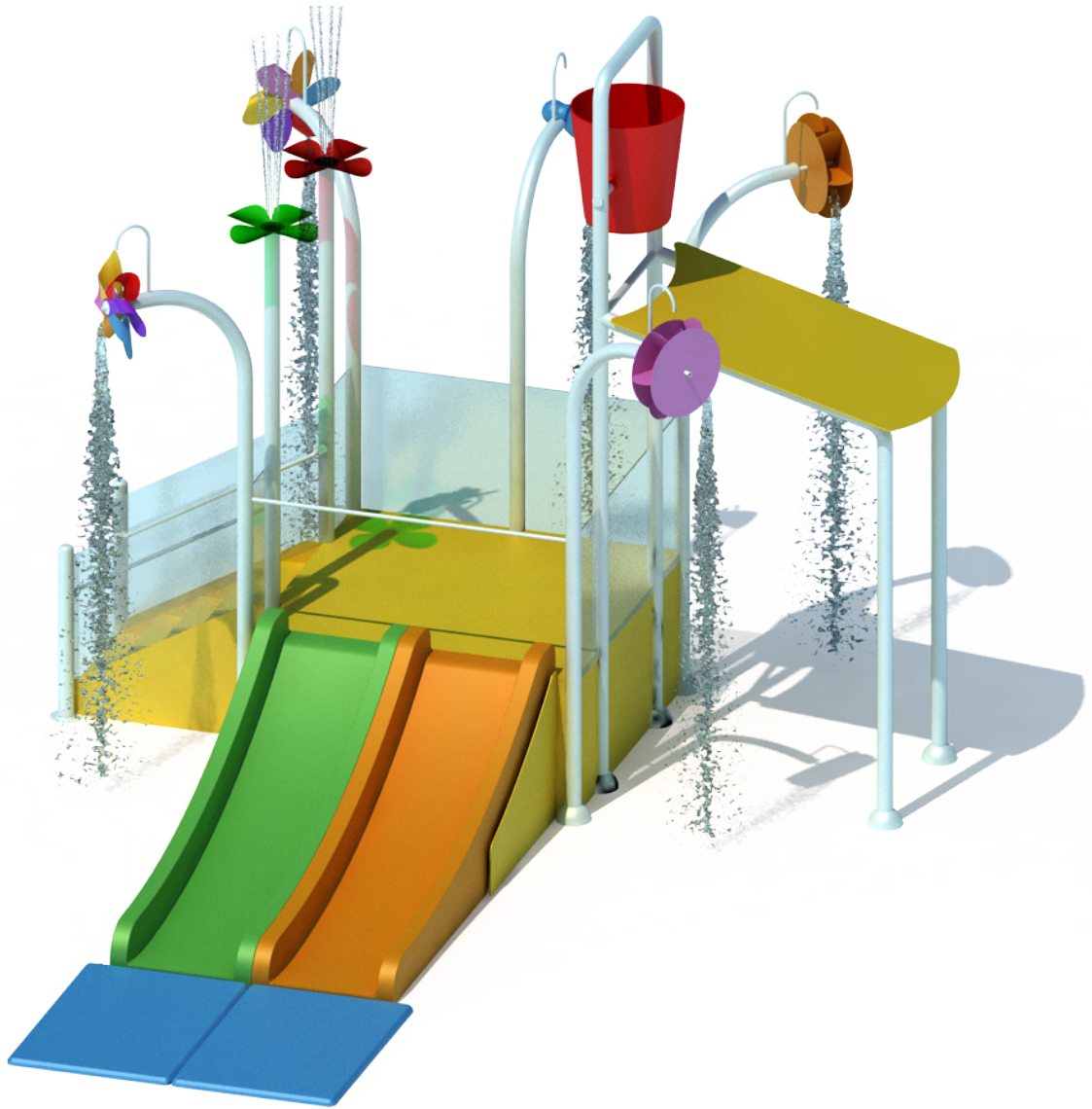
Multi Play-04 | 19466-04

**Nirbo Aquatic Inc.**

2430 Lucknow Drive, unit 14, Mississauga, ON L5S 1V3, Canada

Toll Free: 1.888.68.NIRBO (64726) | Tel: 1.905.766.4474 | Fax: 1.905.766.4467

Website: [www.nirbo.com](http://www.nirbo.com) | Email: [info@nirbo.com](mailto:info@nirbo.com)



Multi Play-04 | 19466-04

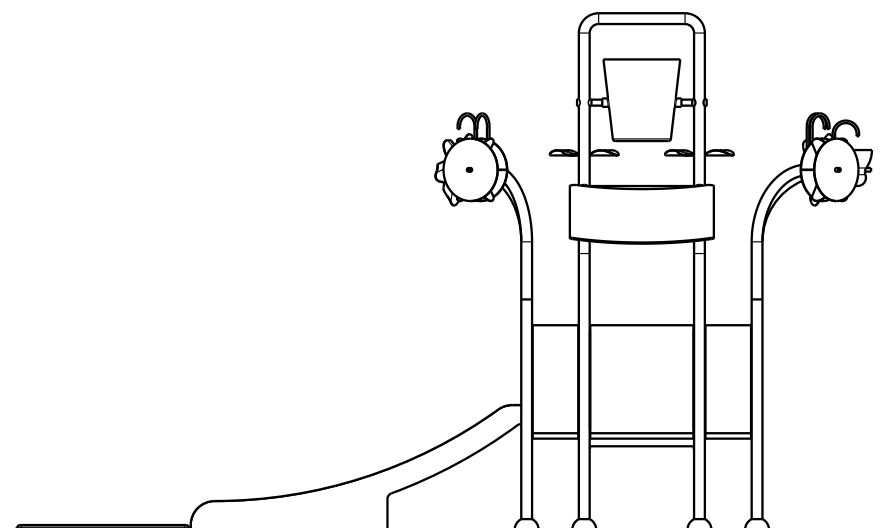
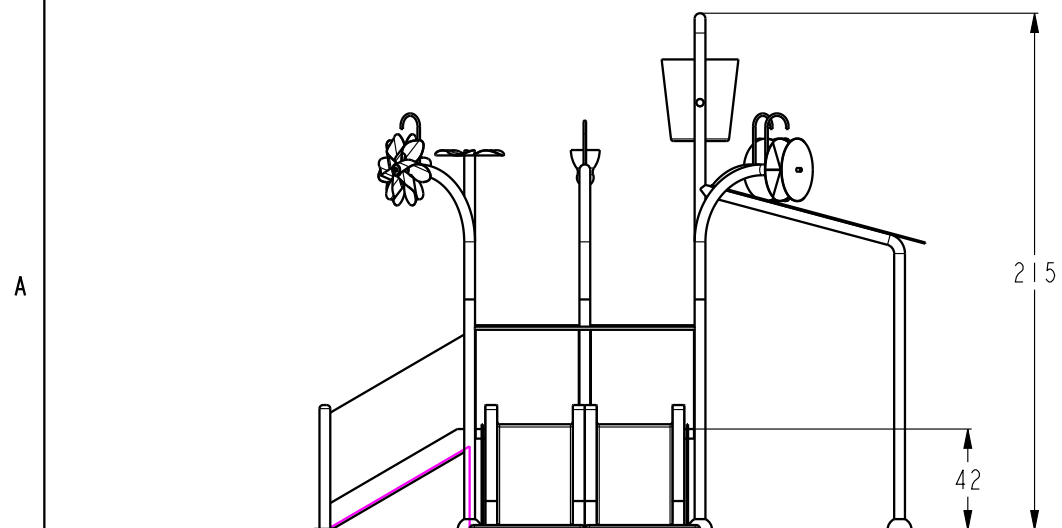
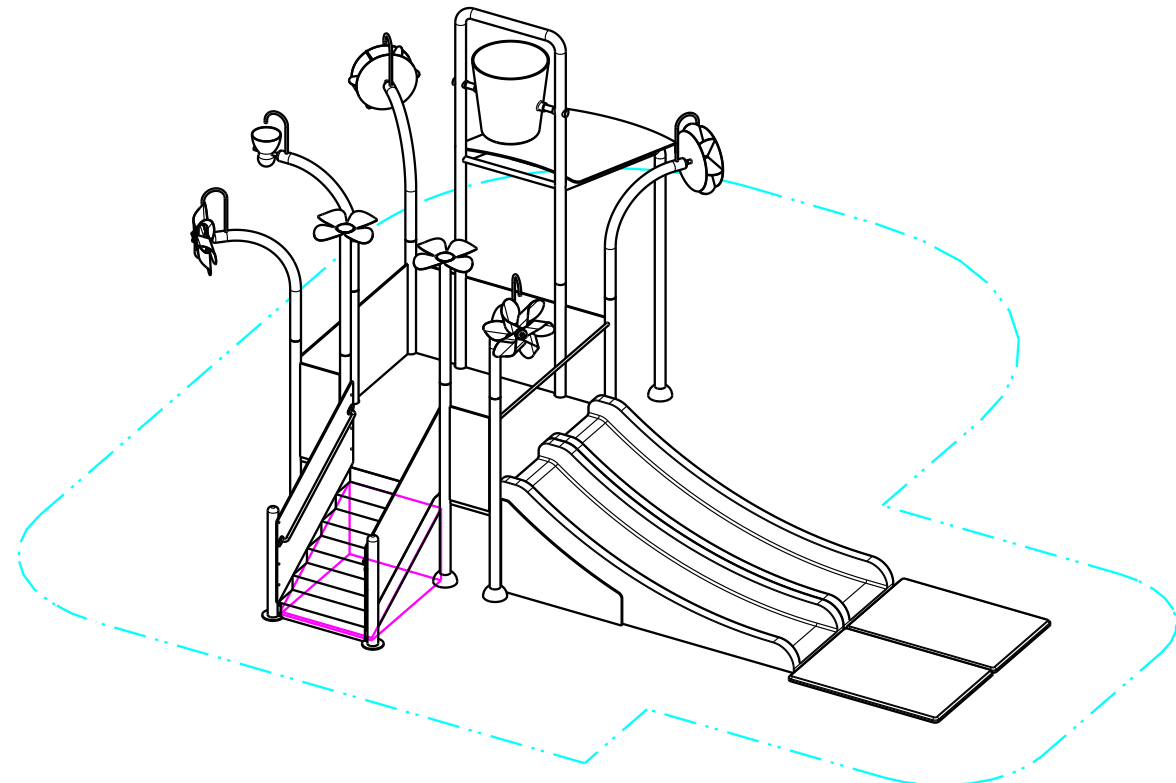
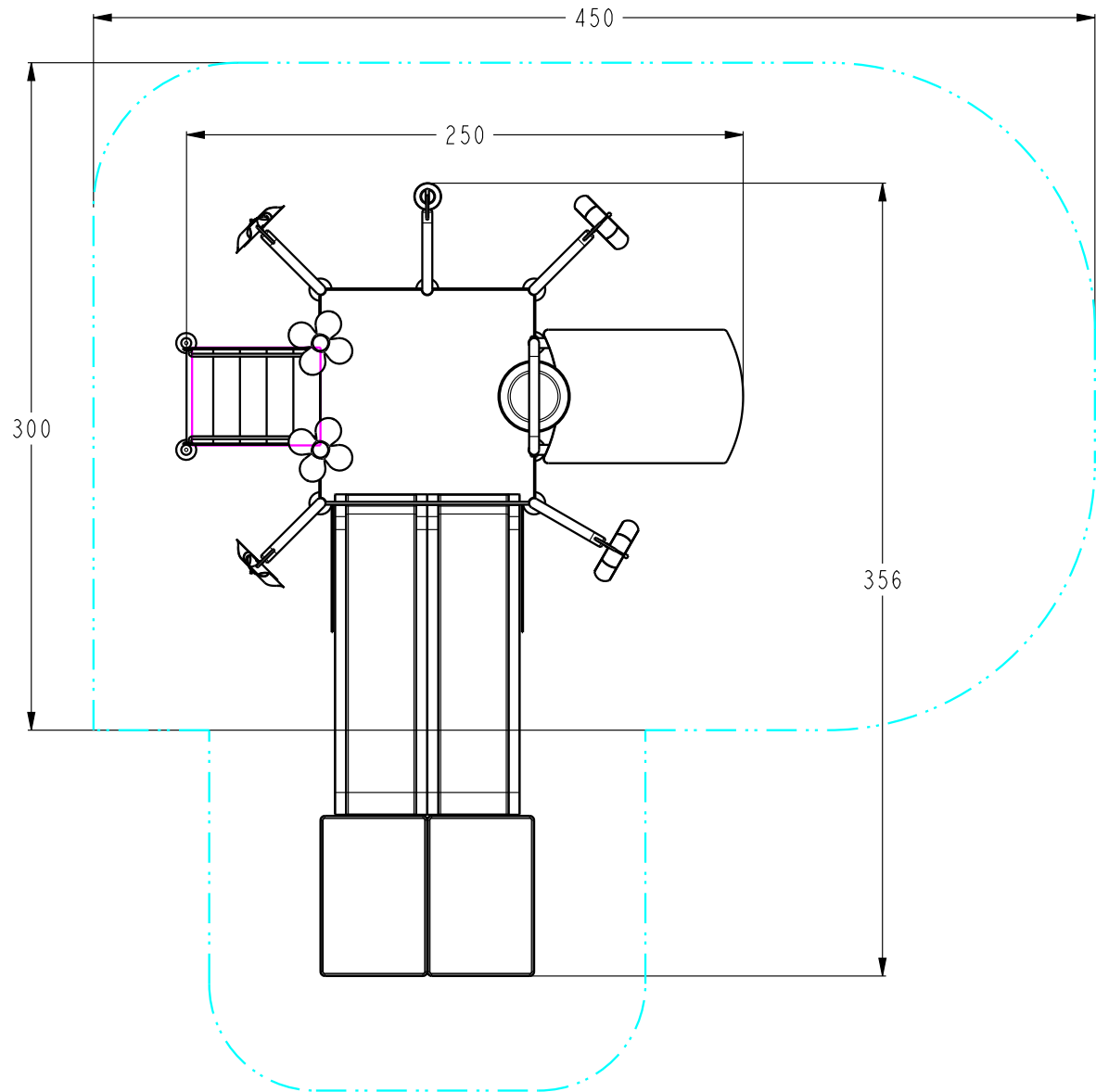
**Nirbo Aquatic Inc.**

2430 Lucknow Drive, unit 14, Mississauga, ON L5S 1V3, Canada

Toll Free: 1.888.68.NIRBO (64726) | Tel: 1.905.766.4474 | Fax: 1.905.766.4467

Website: [www.nirbo.com](http://www.nirbo.com) | Email: [info@nirbo.com](mailto:info@nirbo.com)

4 3 2 1



- 1- STRUCTURE: TYPE 304 STAINLESS STEEL  
NOZZLE: BRASS WITH TEMPER RESISTANT FEATURES  
BEARINGS: PTFE  
DOUBLE SLIDE: POLYETHYLENE  
FLOWER AND BUCKETS: FRP  
BARRIERS: LEXAN
- 2- FINISH: UV RESISTANT POLYESTER POWDER COATING
- 3- PRODUCT INCLUDES:  
ANCHOR BOLTS WITH HARDWARE AND FOOTING TEMPLATE  
SPRAY NOZZLES  
WINTER NOZZLE CAPS  
SERVICE TOOLS  
TAMPER RESISTANT HARDWARE
- 4- GROUND COMPONENT WITH #6 BARE COPPER WIRE

A A

4 3 2 1

<b>NIRBO AQUATIC INC.</b>	ALL INFORMATION CONTAINED IN THIS DOCUMENT IS PROPERTY OF NIRBO AQUATIC INC. AND MAY NOT BE REPRODUCED OR COMMUNICATED WITHOUT PERMISSION IN WRITING FROM NIRBO AQUATIC INC.		DATE (yyyy.mm.dd)	MULTI PLAY CENTER		
			2019.02.14			
	UNIT	SHEET	DRAWING NO	REV		
	INCH	1 / 1	19466-04-00-01-D02	A		