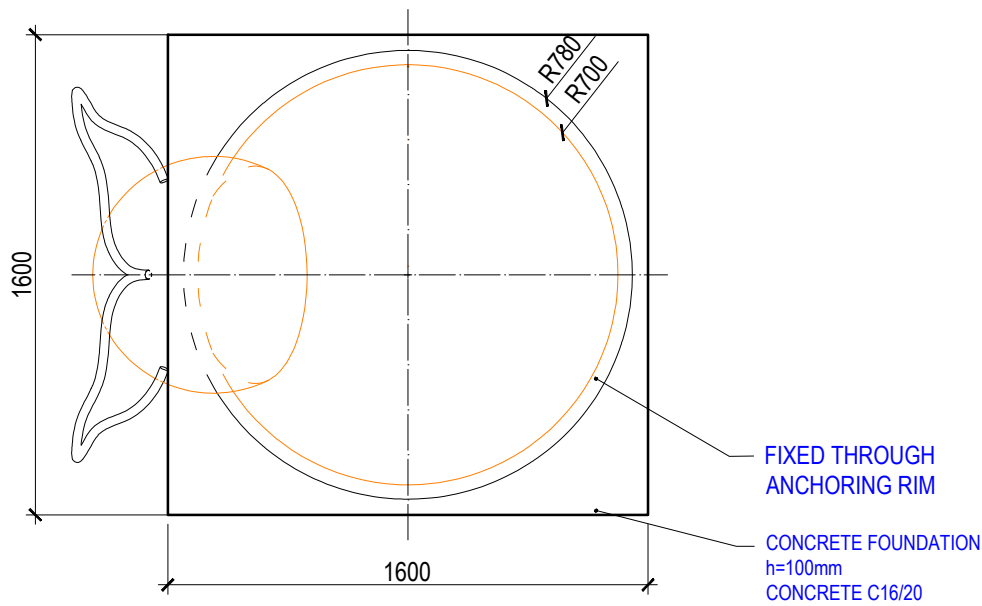
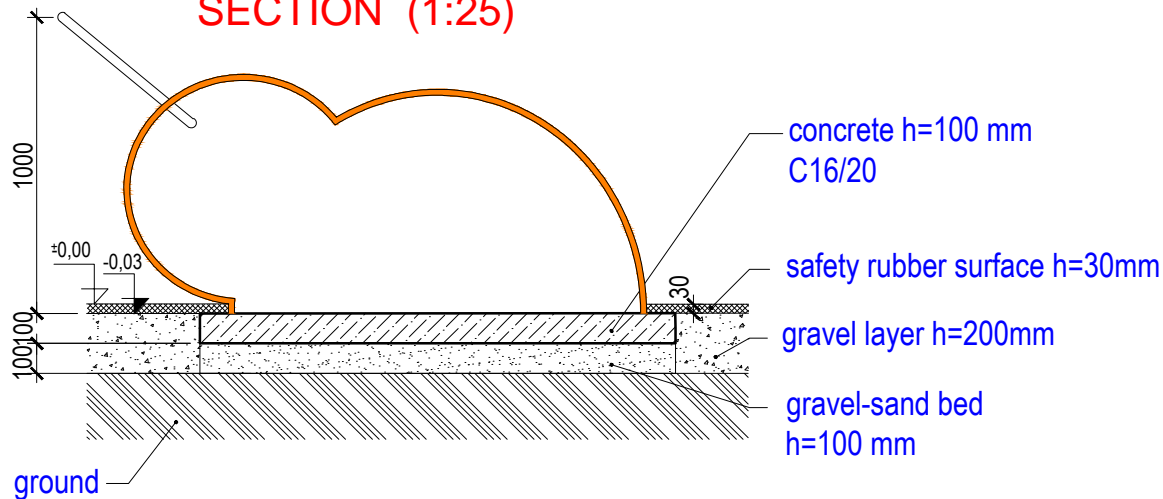


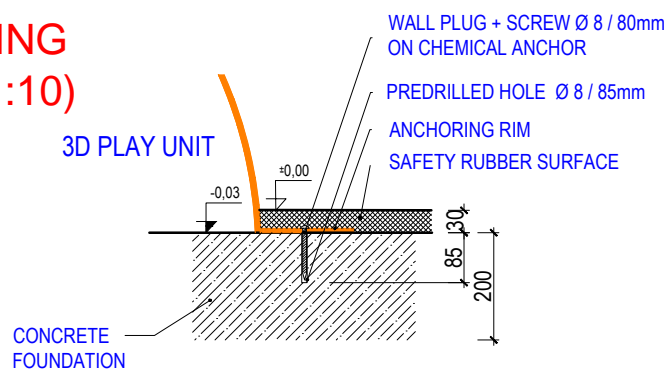
# GROUND PLAN (1:25)




# SECTION (1:25)

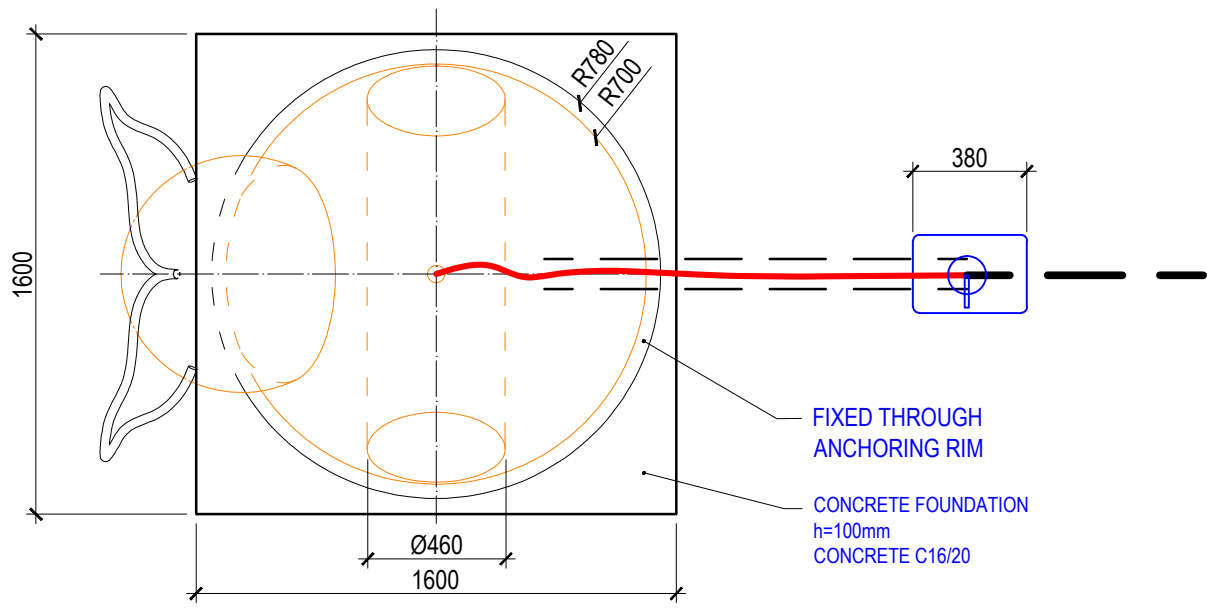


# ANCHORING DETAIL (1:10)

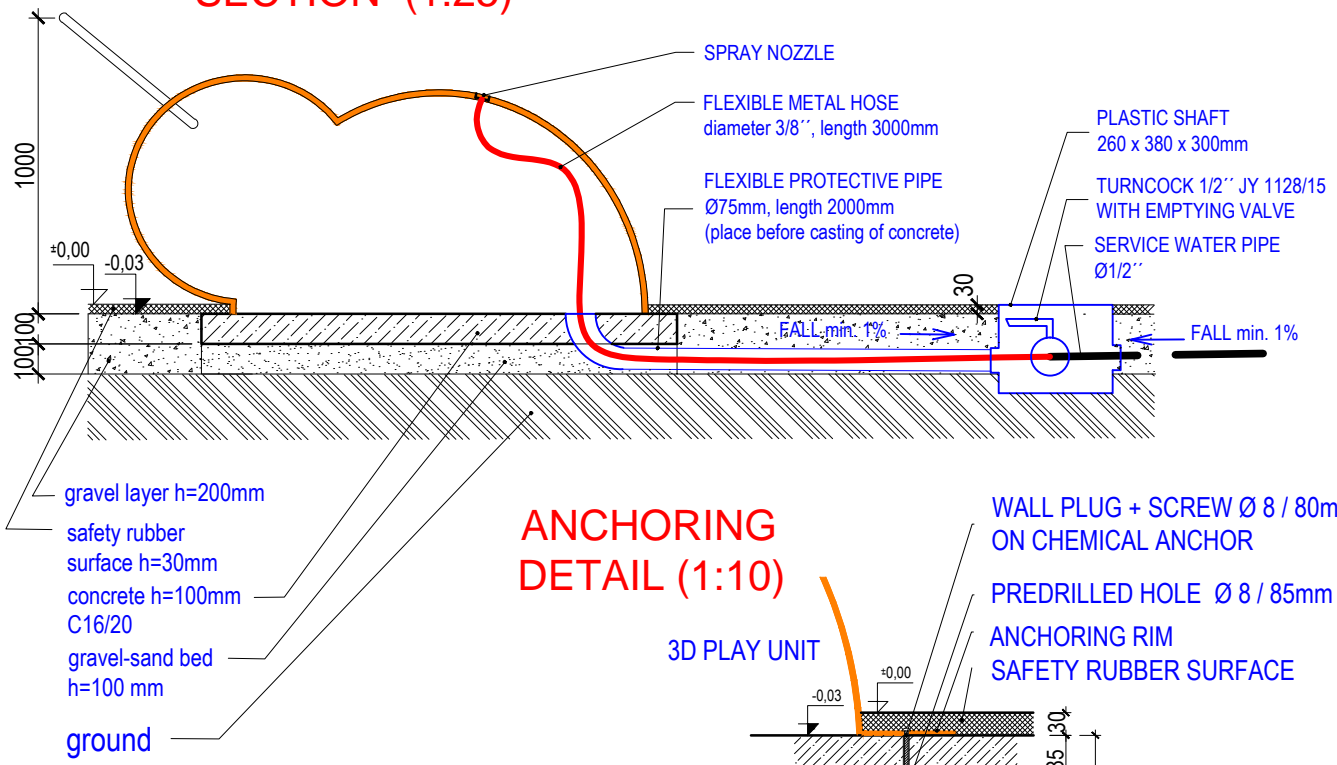


Author:		3D PROGRAM, s.r.o.	 <b>3D PROGRAM</b>
MgA. Maxmilián Blíšák		Objízdná 1911 765 02 Otrokovice	
		Tel: 602 500 045 Email: info@3dprogram.eu	
<b>TECHNICAL DRAWING</b>		Certified according to	EN71 , EN1176
		Date of issue	22.2.2021
C25 - WHALE		M 1:25, 1:10	format 1xA4
Foundation and anchoring - ground plan and section		C25_EN.dwg	revision 0

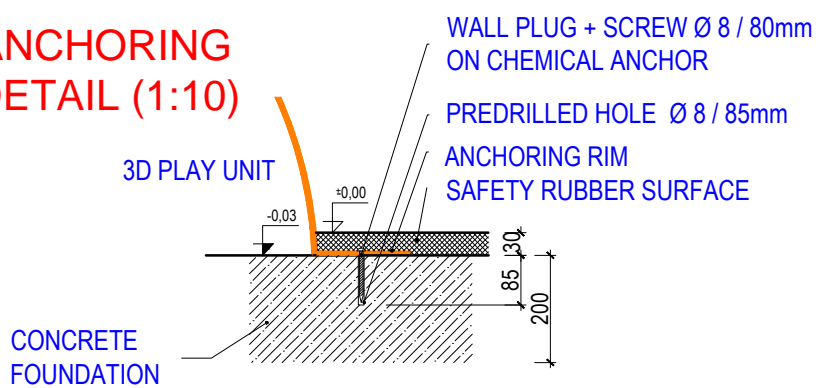
# GROUND PLAN (1:25)




# SECTION (1:25)



# ANCHORING DETAIL (1:10)



Author:		3D PROGRAM, s.r.o.	
MgA. Maxmilián Blíšák		Objízdná 1911 765 02 Otrokovice	
		Tel: 602 500 045 Email: info@3dprogram.eu	
<b>TECHNICAL DRAWING</b>		Certified according to	EN71 , EN1176
		Date of issue	22.2.2021
C25w, C25tp, C25ts, C25wtp, C25wts - WHALE WITH SPRAY NOZZLE		M 1:25, 1:10	format 1xA4
Foundation and anchoring - ground plan and section		C25_EN.dwg	revision 0