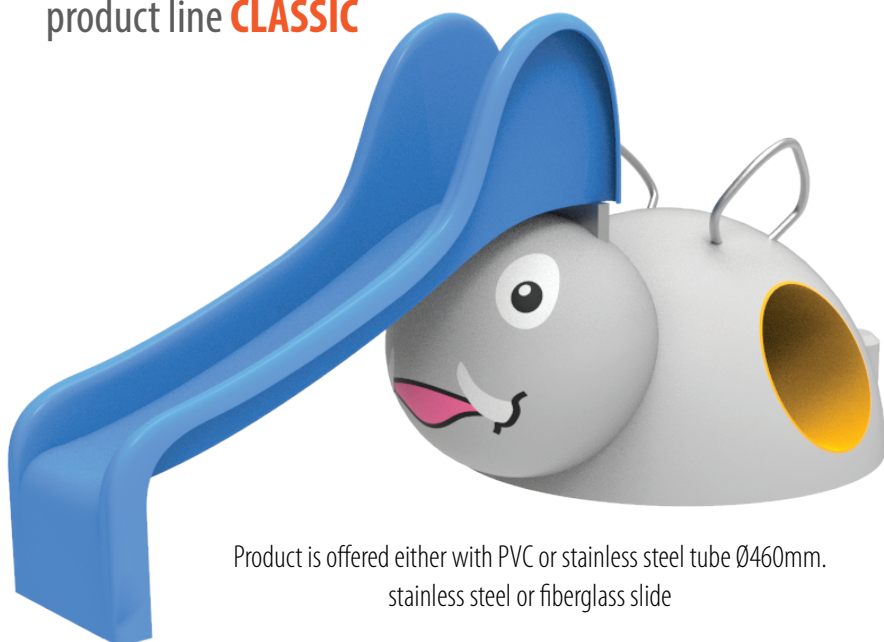


PRODUCT SHEET

product line **CLASSIC**

C24tp, C24ts/21EN

ELEPHANT



Product is offered either with PVC or stainless steel tube \varnothing 460mm.
stainless steel or fiberglass slide

PRODUCT COMPOSITION

SBR+EPDM rubber granules, aliphatic PU binder,
vandal-resistant fiberglass shell, metal parts,
stainless steel (opt. PVC) tube,
stainless steel (opt. fiberglass) slide

COLOR COMBINATION

standard: grey / black / white
(other combination on request)

COLOR STABILITY

UV stable

RECOMMENDED SAFETY SURFACE

safety rubber surface in the area of 1500mm
around the product (according to EN1177)

PRODUCT SAFETY

certified according to EN1176
complies with ASTM F1487 and CAN/CSA Z614

INSTALLATION

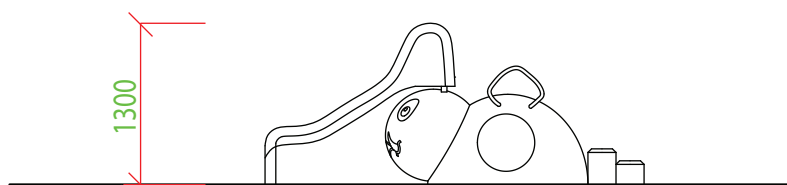
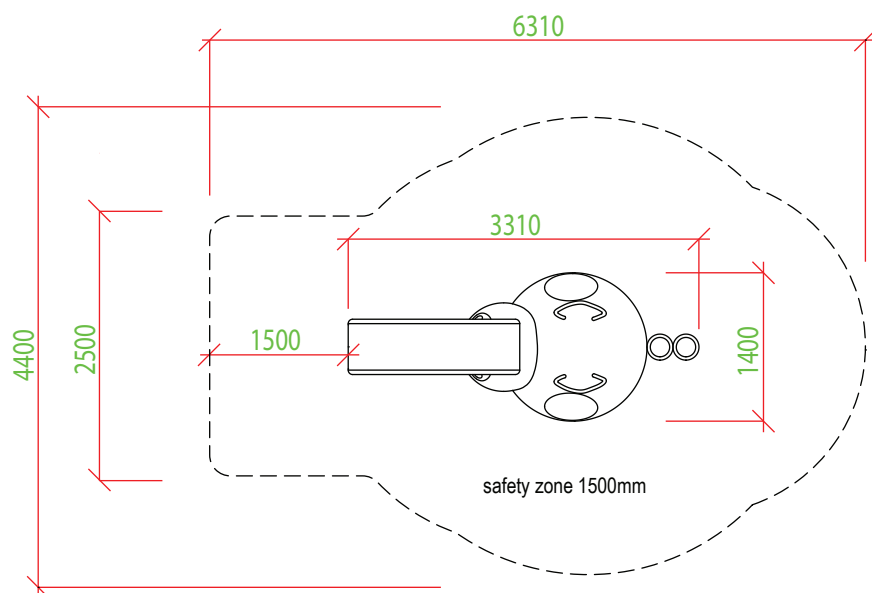
the product is installed onto a concrete foundation

PACKAGING




wrapped in plastic and delivered
on a pallet 1650 x 2100mm
+separately packed 2000mm slide

STORAGE

in original packaging on a pallet
in temperatures between -40°C and 50°C



Our products are handmade, please allow dimensional tolerance up to 40 mm

 150 kg weight	 1300 mm critical fall height	 2 hr assembly time	 2 - 10 yrs users' age	 5 max. number of users	 1400 x 3310 x 1330 mm dimensions
--	--	--	---	--	--

3D PROGRAM, s.r.o.

Objízdná 1911
Otrokovice 765 02
Czech Republic



MADE IN EU

www.3dprogram.eu
info@3dprogram.eu
+420 602 500 045 +420 577 700 718

