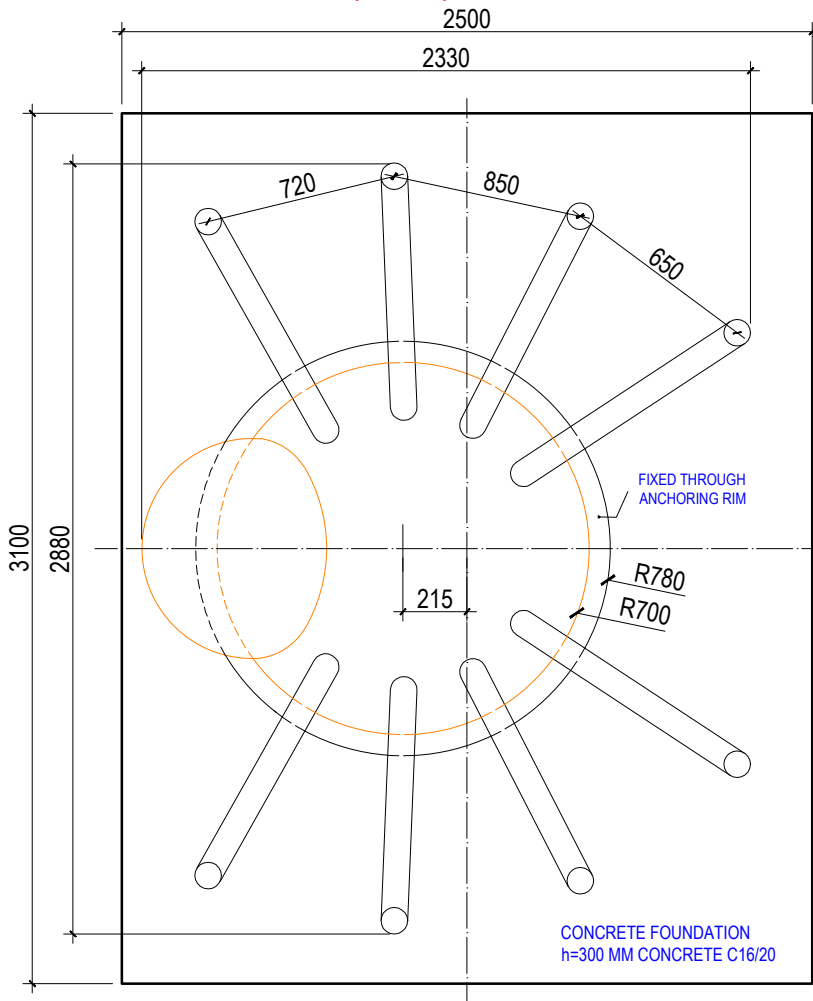
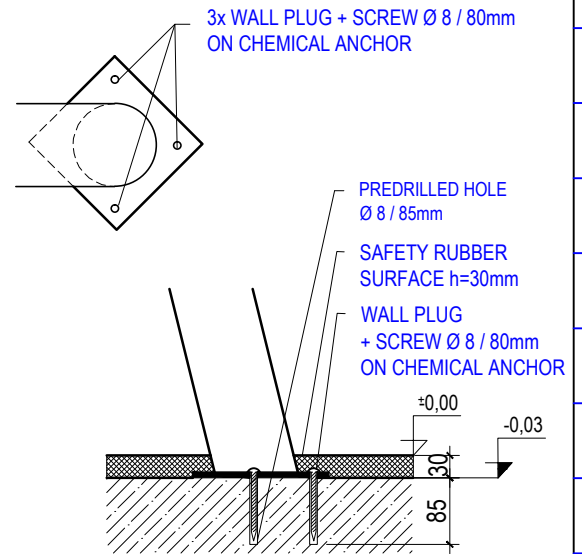


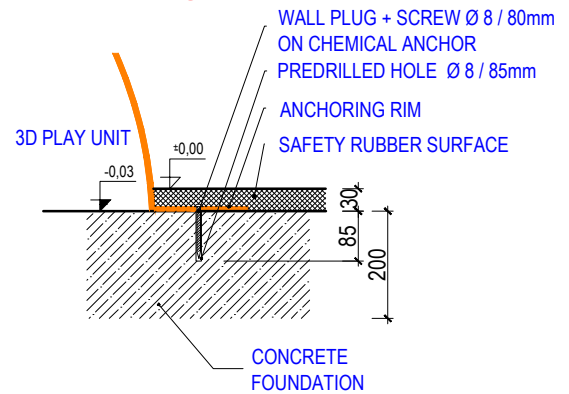
GROUND PLAN (1:25)



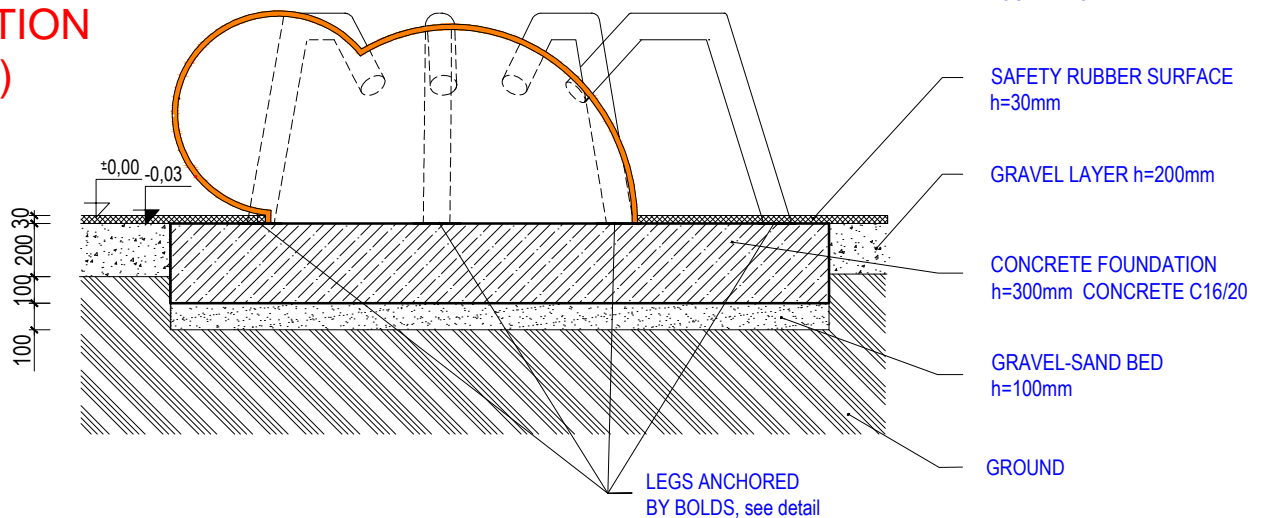
"Leg" anchoring detail (1:10)



anchoring detail (1:10)



SECTION (1:25)



Author:

MgA. Maxmilián Bišták

3D PROGRAM, s.r.o.

Objízdná 1911

765 02 Otrokovice

Tel: 602 500 045

Email: info@3dprogram.eu



TECHNICAL DRAWING

Certified according to

EN71 , EN1176

Date of issue

22.2.2021

C17 - SPIDER

M 1:25, 1:10

format 1xA4

Foundation and anchoring - ground plan and section

C17_EN.dwg

revision 0