

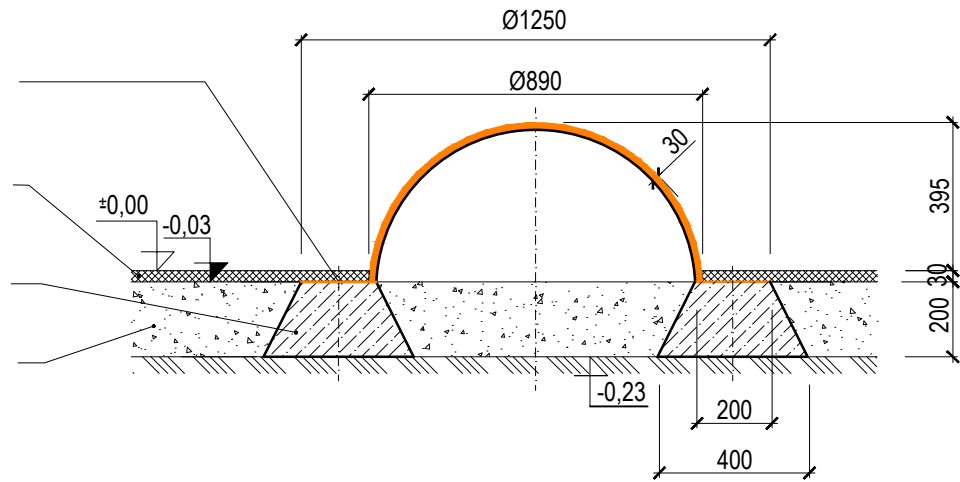
## SECTION (1:20)

anchored by screws,  
see detail

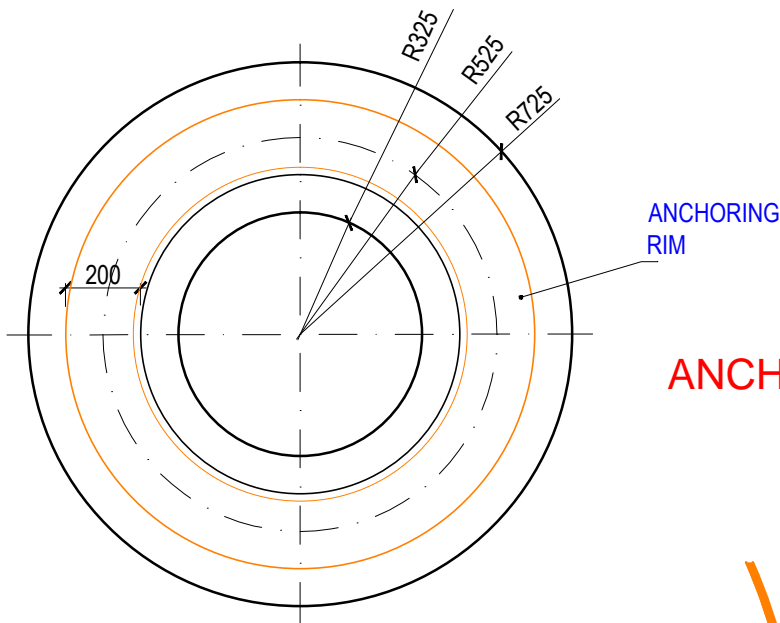
safety rubber surface  
h=30mm

concrete h=200 mm  
C16/20

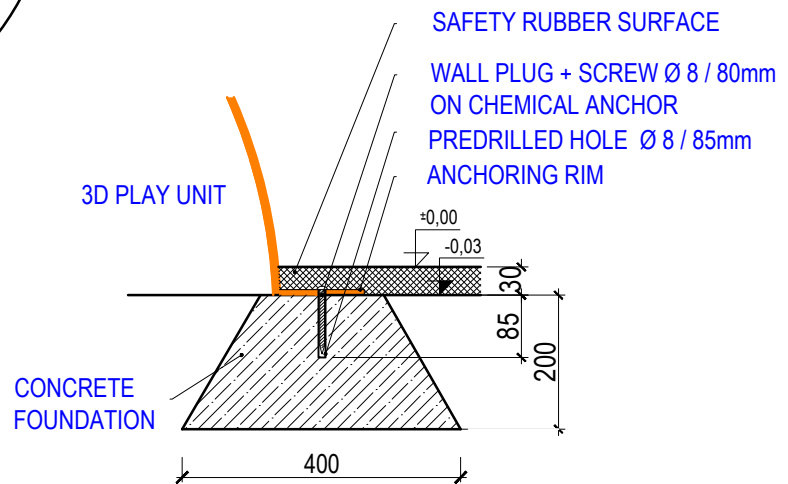
gravel layer h=200mm



## FOUNDATION GROUND PLAN (1:20)



## ANCHORING DETAIL (1:10)



Author:

MgA. Maxmilián Blíšák

3D PROGRAM, s.r.o.

Objízdná 1911  
765 02 Otrokovice, Czech Republic

Tel: +420 602 500 045  
Email: info@3dprogram.eu



**3D PROGRAM**

# TECHNICAL DRAWING

E11 - HILL M

Foundation and anchoring - ground plan and section

Certified according to EN71 , EN1176

Date of issue 22.2.2021

M 1:20, 1:10

E11\_EN.dwg

format 1xA4

revision 0