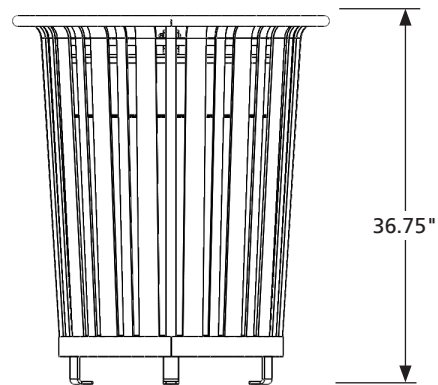
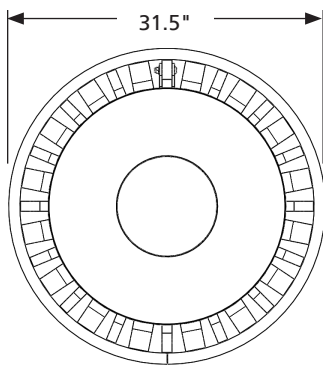




MORAINES TRASH CANS

Model:	TC021-HL-AL
Desc.:	34G (128.70 L) Aluminum Tapered Trash Receptacle c/w Lid, Liner and Lanyard
Top Style:	Hinged Lid
Material:	1" (25.4mm) x 0.25 (6.35mm) and 2" (50.8mm) x 0.25" (6.35mm) Aluminum Flat Bar; 0.75" (19mm) Round Aluminum Bar
Configuration:	Top Access, Surface Mount
Options:	TC021-AL Standard Lid
Finish:	Polyester powder coating applied electrostatically over substrate.
Installation:	Trash can is assembled at factory. Holes in feet provide a way to secure each leg.
Maintenance:	Periodically wipe down to keep clean.



Dimensions:	IMPERIAL	METRIC
Dia:	31.5"	(800 mm)
Height:	36.75"	(933 mm)